



Instaslide

PARASOLS

About Us

Luxury parasol
for your home
and business...

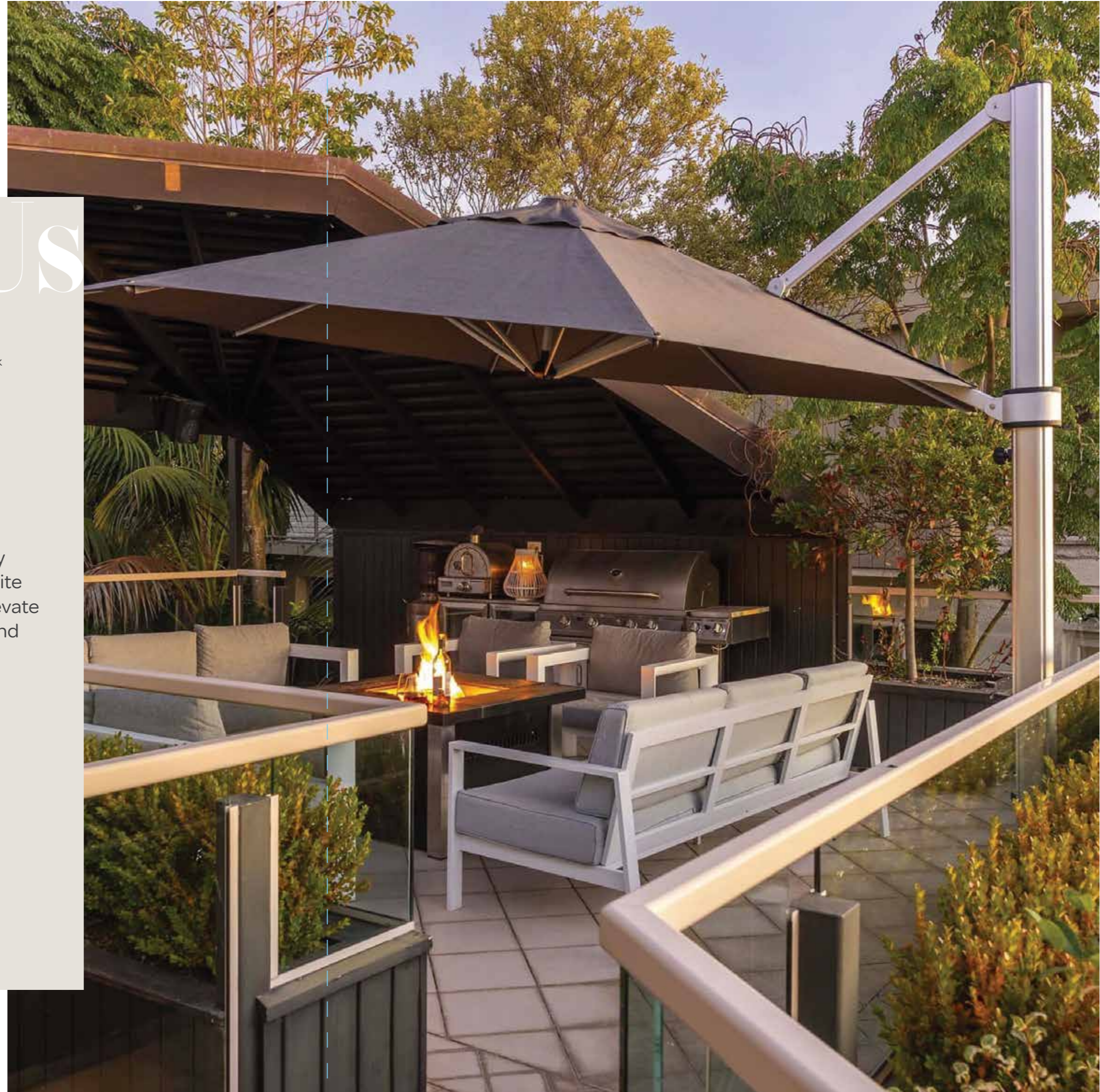
Tel: 01925 859 960
Email: info@instashade.co.uk
Web: www.instashade.co.uk

Revitalise your outdoor space with sleek and intelligent outdoor solutions crafted by Instashade. At Instashade, we're dedicated to delivering exceptional parasols that seamlessly blend style and practicality. Explore our exquisite range of parasols, meticulously designed to elevate your outdoor experience with both elegance and functionality.

As a family-run business with over 15 years in the industry, our expertise and strong client relationships make us a trusted choice for your outdoor needs, whether you're a large corporate organisation or a homeowner with an eye for exterior design.

We pride ourselves on excellent customer service, and supply only the finest, most innovative parasols on the market. All of our products include a minimum two-year warranty, to give you confidence in the quality of our parasols.

If you need guidance in selecting the perfect parasol for your needs, our team is here to assist you every step of the way. Your satisfaction is our priority, and we look forward to helping you transform your outdoor space with style and functionality.



Discover the joy of outdoor living, no matter the season, with our range of premium outdoor solutions.

Designed for both durability and elegance, our parasols enhance your exterior design while providing reliable shade and protection from the elements. Experience the perfect combination of functionality and sophistication with our range of premium parasols.

With a strong, flexible design that effortlessly shelters you from the elements all day long, our parasols are designed to compliment, not compromise, your exterior. From summer evening entertaining friends to long afternoons in the garden, these parasols make the ideal addition for your al-fresco lifestyle. Easy to assemble, move and store, our parasols are a versatile and practical choice for your outdoor space, with contemporary styling that gives them a touch of elegance. Browse our collection to find the perfect size, colour and style for your home.

Our parasols boast contemporary styling that adds a touch of elegance to any outdoor space. Designed for convenience, they are versatile and practical. Experience the perfect blend of style and functionality with our range of parasols.

Explore our collection and discover the ideal size, color, and style that perfectly compliments your home.



FOR
YOUR
HOME

FOR
YOUR
BUSINESS



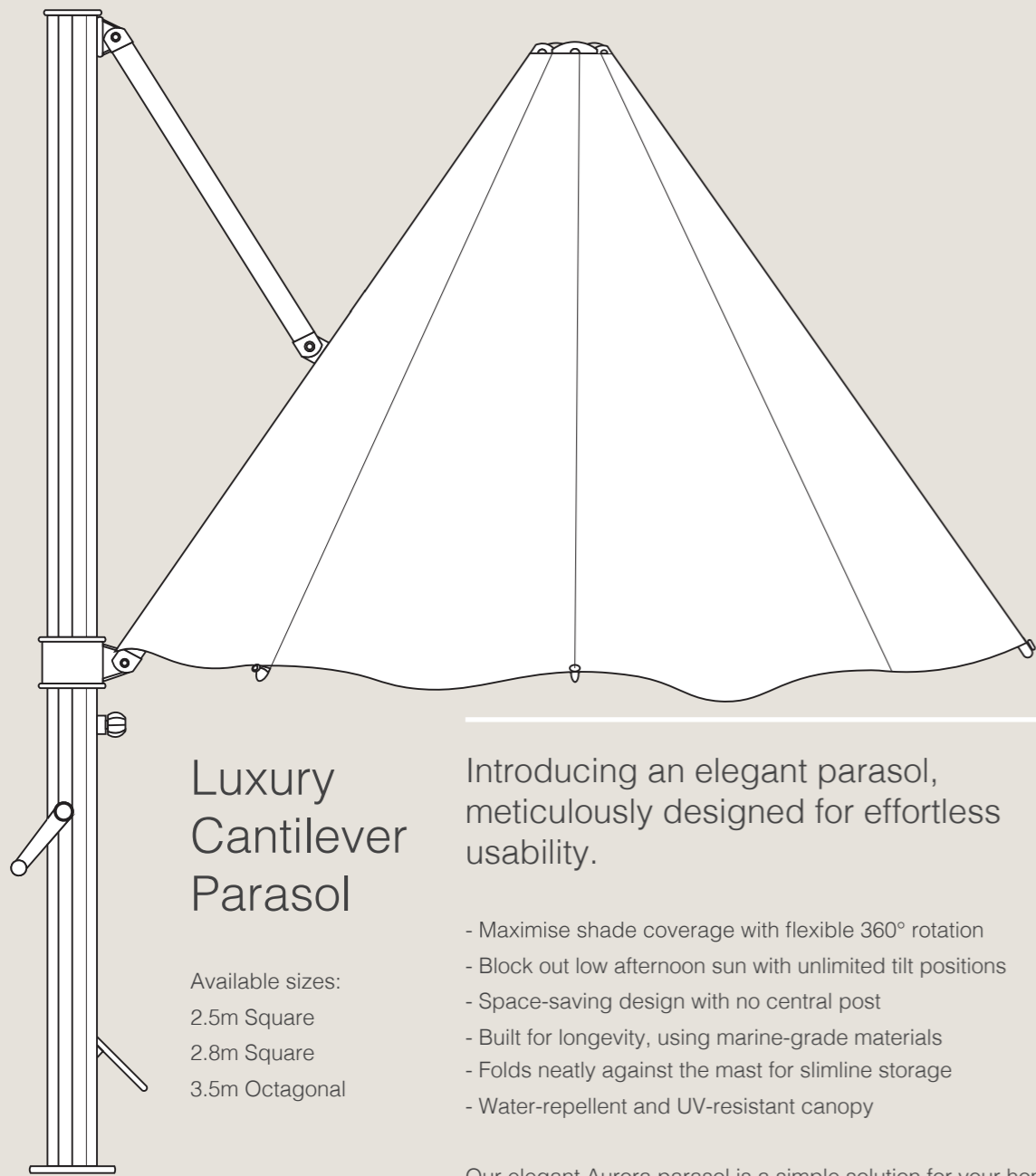
Design a welcoming environment where customers can socialise and unwind in comfort...

Maximise your available space by creating a terrace or patio where customers can enjoy themselves regardless of the weather. Our commercial-grade parasols will add a stylish touch to your exterior, making them ideal for bars, restaurants, cafes, and hotels.

From lightweight to commercial parasols, our luxury collection offers something for every premise, to protect your customers from the elements all day, every day.

In all-weather the canopies and sturdy frames, our parasols are a superb investment for your business. Choose a size, colour and design that enhances your exterior; branded parasols are available across our collection.

AURORA



Luxury Cantilever Parasol

Available sizes:
2.5m Square
2.8m Square
3.5m Octagonal

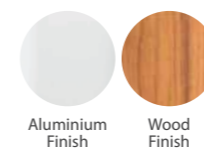
Introducing an elegant parasol, meticulously designed for effortless usability.

- Maximise shade coverage with flexible 360° rotation
- Block out low afternoon sun with unlimited tilt positions
- Space-saving design with no central post
- Built for longevity, using marine-grade materials
- Folds neatly against the mast for slimline storage
- Water-repellent and UV-resistant canopy

Our elegant Aurora parasol is a simple solution for your home or business, with a strong olefin canvas available in a range of stylish colours



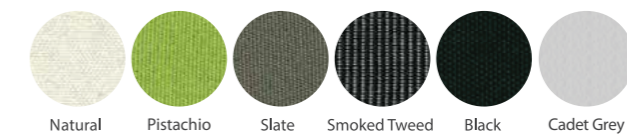
Frame Finish:



Aluminium Finish

Wood Finish

Available in 6 standard colours:
(huge range of non-standard colours available)



Natural

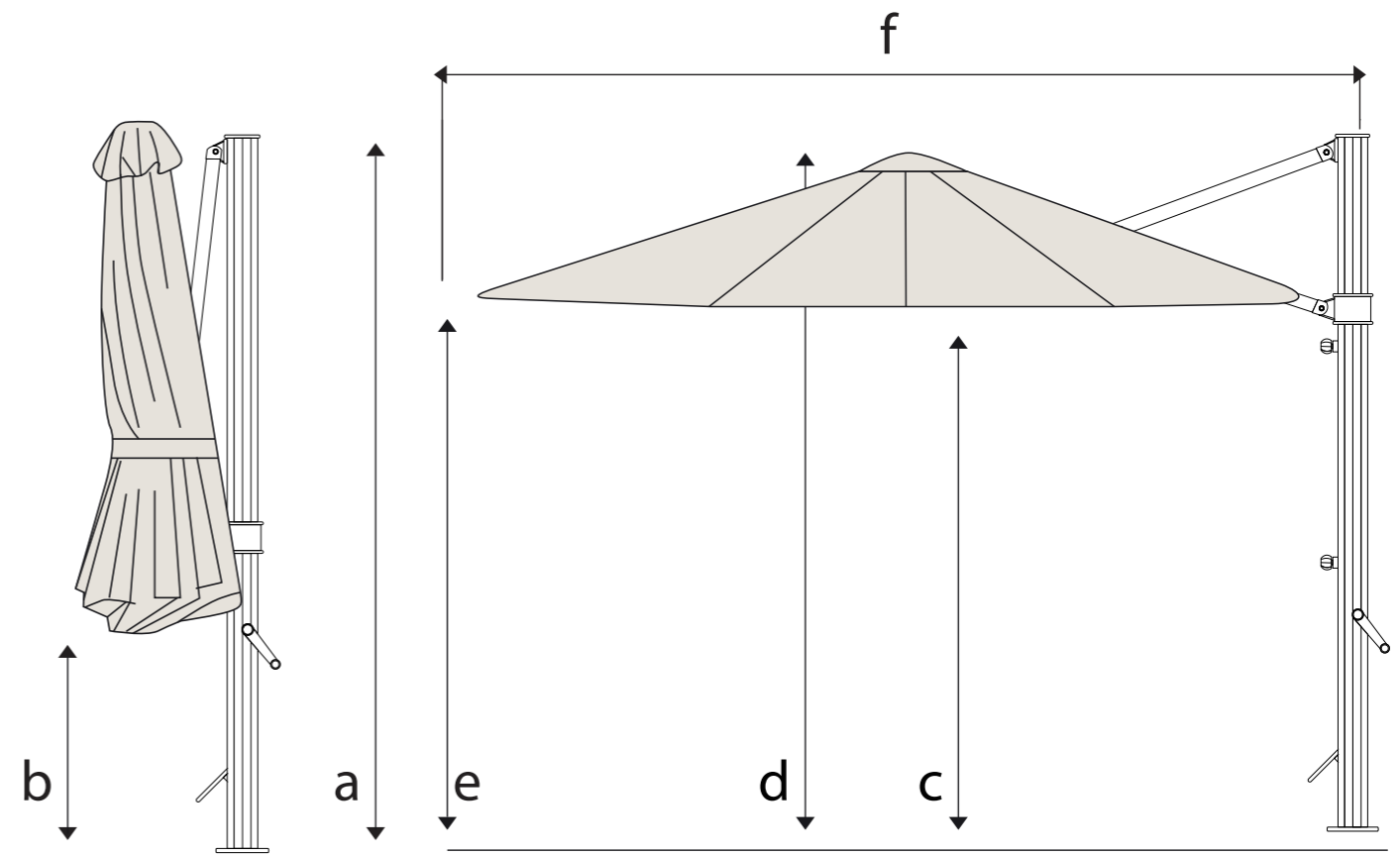
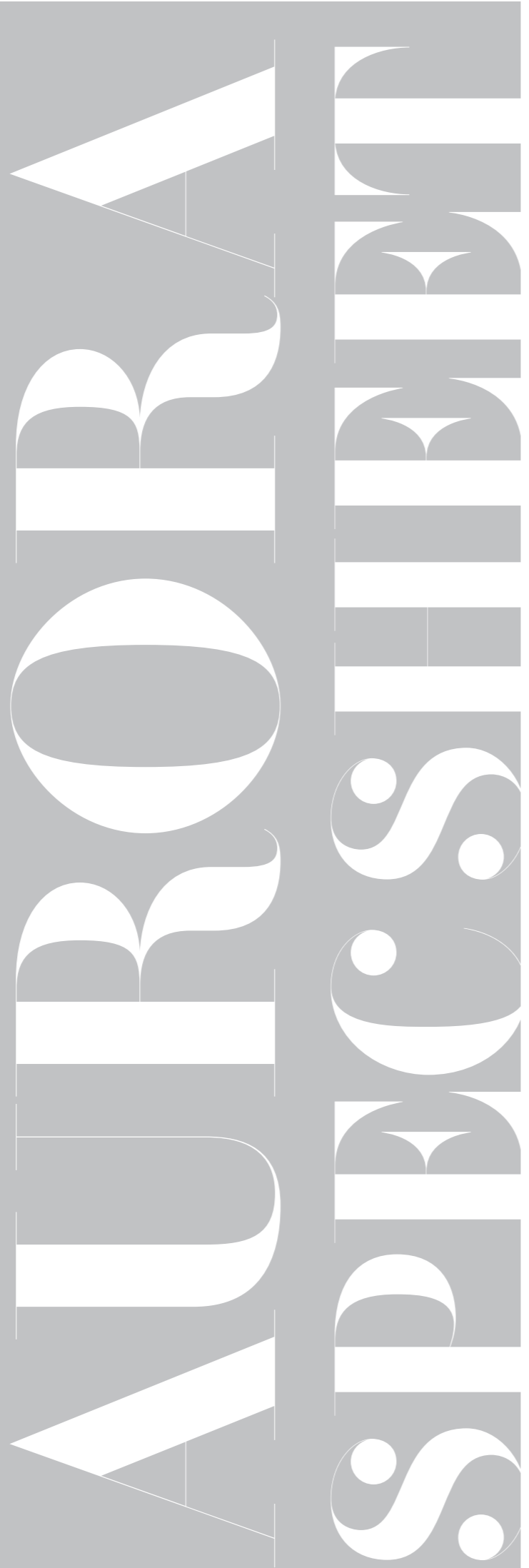
Pistachio

Slate

Smoked Tweed

Black

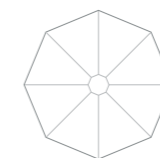
Cadet Grey



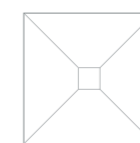
Dimensions

Measured from point to point. All measurements are rounded and are subject to change. Wind damage is not covered by the warranty.

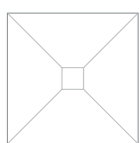
3.5m Octagonal



2.8m Square



2.5m Square



Dimensions of Closed Parasol

a: Mast Height (cm)	282	282	280
b: Distance from Arms to Ground (cm)	100	76	96
Weight of Parasol when Folded (kg)	27	27	26

Dimensions of Open Parasol

c: Height to Canopy Hub (cm)	200	210	198
d: Total Height to Top of Canopy (cm)	264	274	254
e: Height to Edge of Canopy (cm)	210	215	189
f: Distance from Outside Edge of Mast to Outside Edge of Canopy (cm)	360	310	280
Width of Canopy (cm)	350	280	250

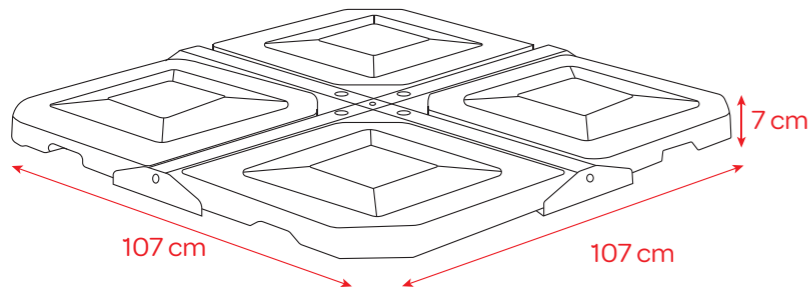
Weight & Packing Dimensions

Package Dimensions (inc post) (cm)	290 x 47 x 27	290 x 47 x 27	290 x 47 x 27
Weight of Parasol when Packaged in Carton with Spigot (kg)	39	39	39

Wind Rating Guide

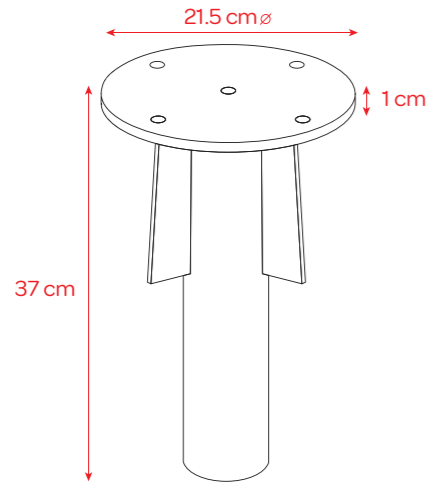
Installed Wind Rating	50kmph	50kmph	50kmph
Free Standing Base Wind Rating	30kmph	30kmph	30kmph

Cross base with concrete blocks



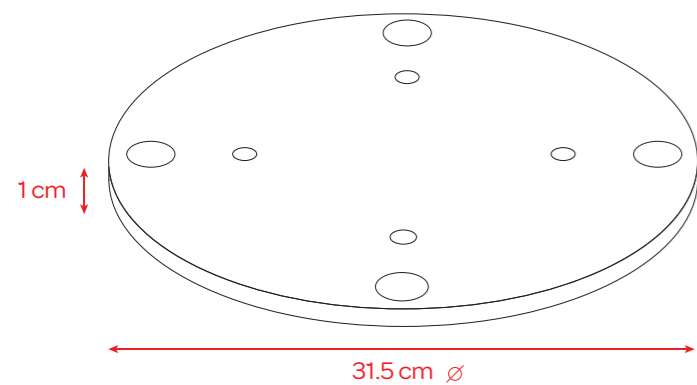
Weight: 98 kg
Finish: Black powdercoat, Moulded nylon
Boxed size: 112 cm x 20 cm x 8 cm (cross)
 55 cm x 55 cm x 9 cm (paver)
Boxed weight: 120kg
Feature: Non permanent
 Pavers can be double stacked for extra weight (recommended for windy areas).

In-ground fitting



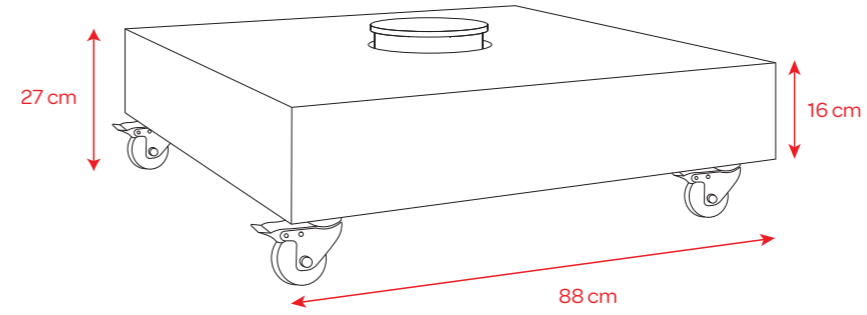
Weight: 6 kg
Finish: Galvanised steel
Box size: 40 cm x 23 cm x 23 cm
Boxed weight: 7 kg
Spigot hole distance: 12 cm

Cantilever base plate



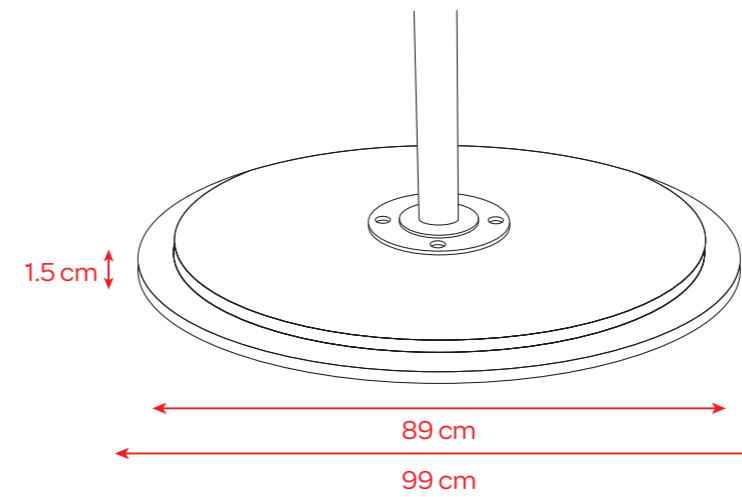
Weight: 7 kg
Finish: Black PC, Grey PC or 316 Stainless Steel
Boxed size: 33 cm x 33 cm x 2 cm
Boxed weight: 8 kg
Spigot hole distance: 12 cm
Installation hole distance: 22 cm

Wheeled free standing base



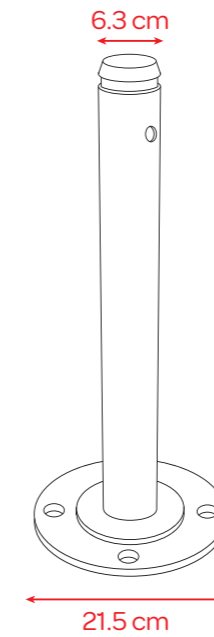
Weight: 40 kg
Finish: Zinc plated, aluminium cover
Boxed size: 93 cm x 90 cm x 21 cm
Boxed weight: 43 kg
Feature: Locking wheels optional
Requires: 12 x 40 cm x 40 cm 4 cm Pavers (not included)
Weight when filled: 240 kg

Galvanised Stack



36 G
Weight: 68 kg
Diameter: 89 cm
Height: 1.5 cm
40 G
Weight: 84 kg
Diameter: 99 cm
Height: 1.5 cm

Steel Spigot



Weight: 5.8kg
Height: 52 cm
Boxed Weight: 6.5kg

AUROLA

BASIS

AURORA KEY FEATURES

Extruded Aluminium Mast



Infinity Tilt System



Easy-glide Action Slider Car



Lightweight & Elegant



Frame Finish:



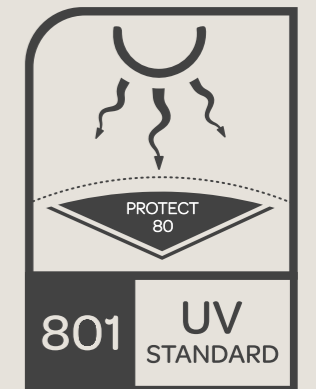
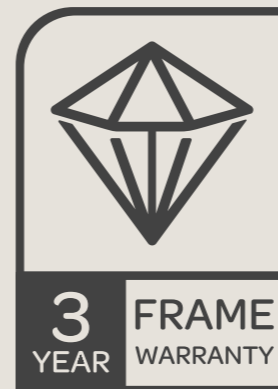
Available in 6 standard colours:
(huge range of non-standard colours available)



Acrylic - EUROPEAN MADE, 100% SOLUTION-DYED, ACRYLIC FABRIC - Our premium marine-grade fabric comes with a 5 year warranty and has the best available colour fastness rating of 7-8 out of 8*. It also has the highest possible rating of UPF 50+, reducing the maximum amount of harmful UV light for excellent sun protection - Available for *Aurora*, *Eclipse* and *Nova*.



Sleek, aluminium arms for a sophisticated and long-lasting shade solution



*Fabric colours may vary slightly from printed swatches shown above



AUROLA

ECLIPSE



Premium Cantilever Parasol

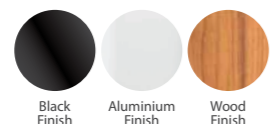
The ultimate cantilever parasol to shelter your outdoor space, whatever the weather

Available sizes:
 3m Square
 3.5m Square
 4m Octagonal
 4m x 3m Rectangular

- Maximise shade coverage with full 360° rotation
- Shelter from low afternoon sun with unlimited tilt positions
- Space-saving design; no central post
- A commercial-grade parasol, made from marine-grade materials
- Stores away neatly into a sleek, vertical format
- Easy installation and optional stabiliser bars for windy conditions
- Water-repellent and UV-resistant canopy

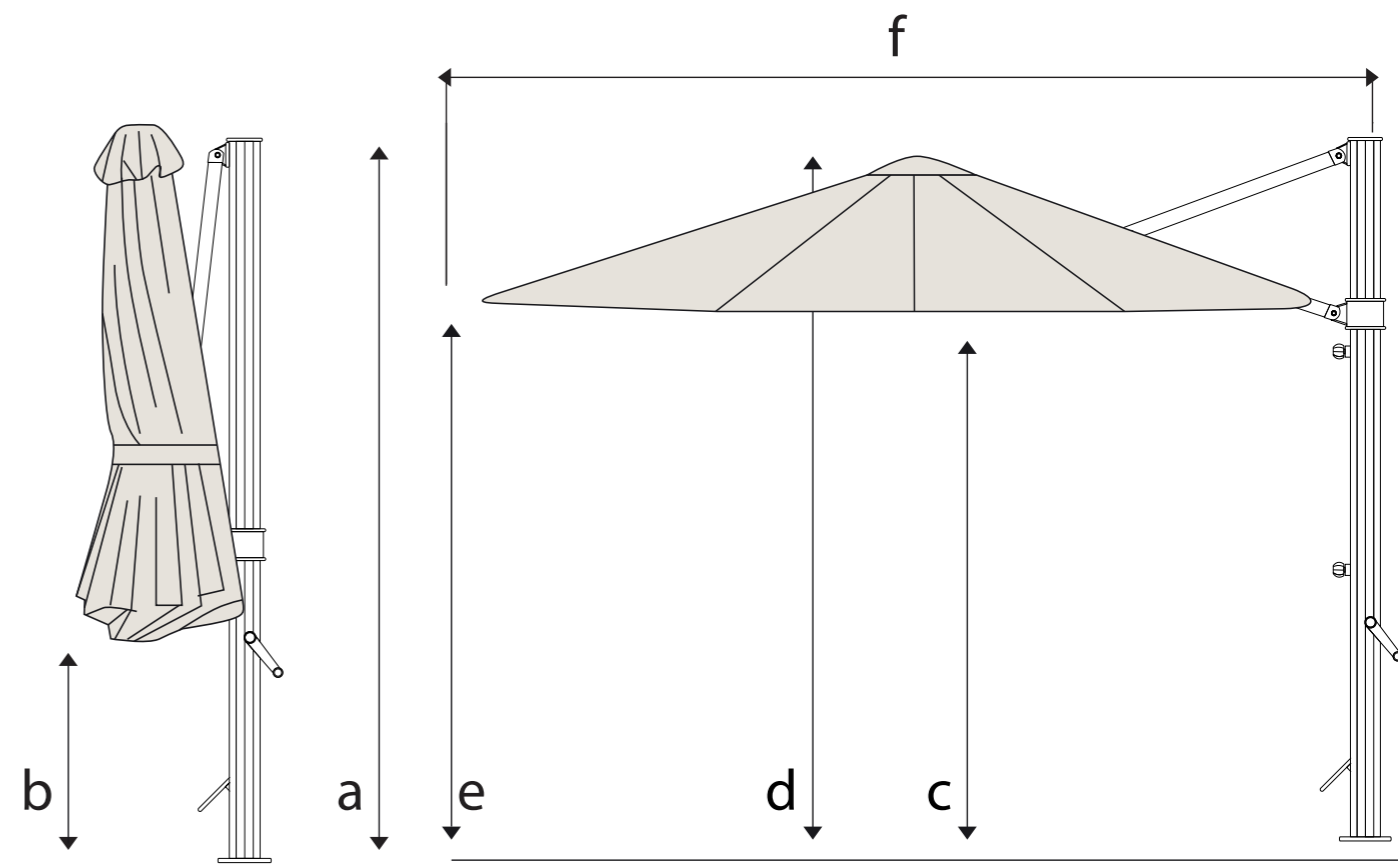
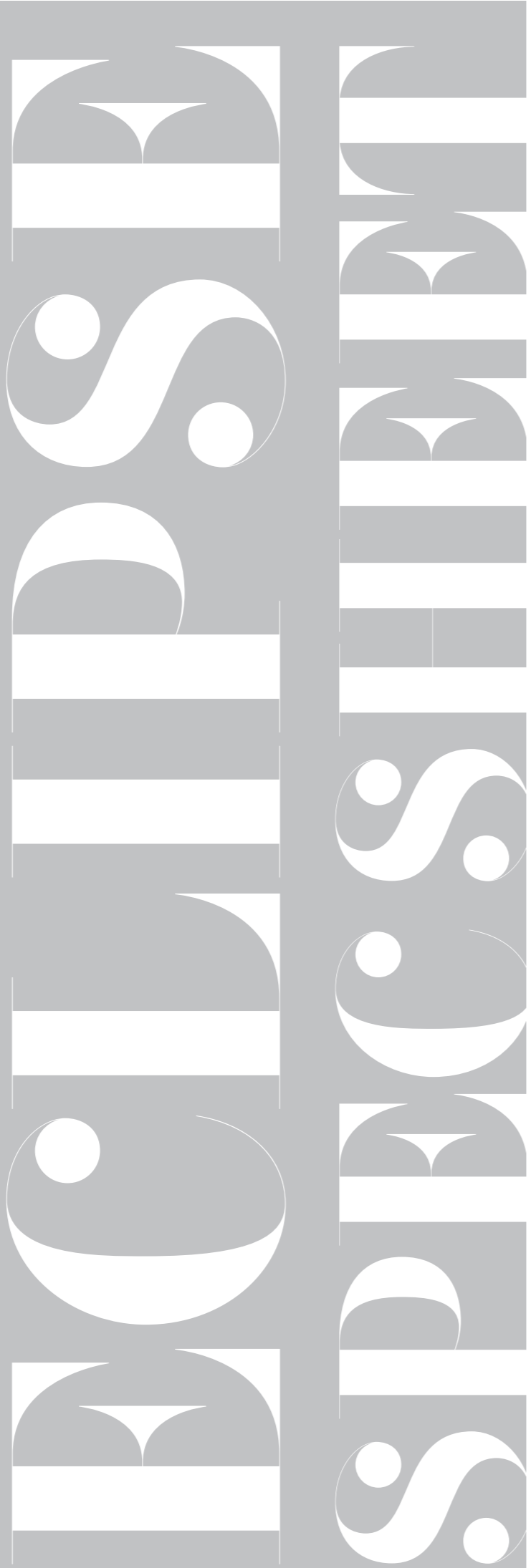
Our Eclipse cantilever parasol combines strength and style perfect for your home or business with its durable acrylic canvas in a superb selection of colours.

Frame Finish:



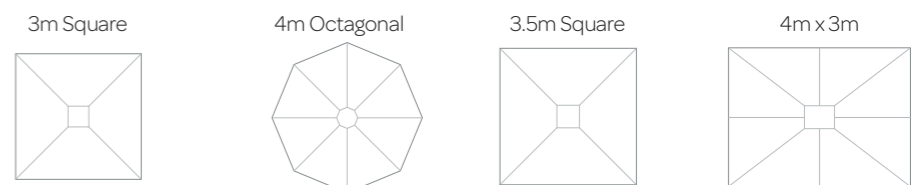
Available in 6 standard colours:
 (huge range of non-standard colours available)





Dimensions

Measured from point to point. All measurements are rounded and are subject to change. Wind damage is not covered by the warranty.



Dimensions of Closed Parasol

a: Total Height (cm)	283	283	283	283
b: Distance from Arms to Ground (cm)	68	80	35	35

Dimensions of Open Parasol

c: Height to Canopy Hub (cm)	205	207	212	216
d: Total Height to Top of Canopy (cm)	283	275	289	280
e: Height to Edge of Canopy (cm)	210	210	210	218
f: Distance from Back of Mast to Front Tip of Canopy (cm)	329	410	375	327

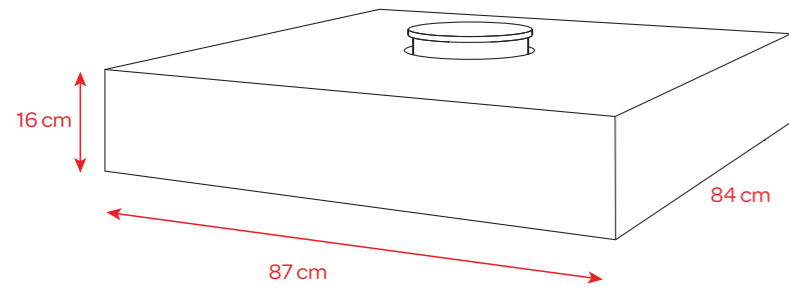
Weight & Packing Dimensions

Weight of Parasol when Folded (kg)	35	37	37	37
Width of Canopy (cm)	300	400	350	400 x 300
Dimensions of Packaging (cm)	295 x 51 x 30	295 x 51 x 30	295 x 51 x 30	295 x 51 x 30
Weight of Parasol when Packaged in Carton with Spigot (kg)	49	51	51	51

Wind Rating Guide

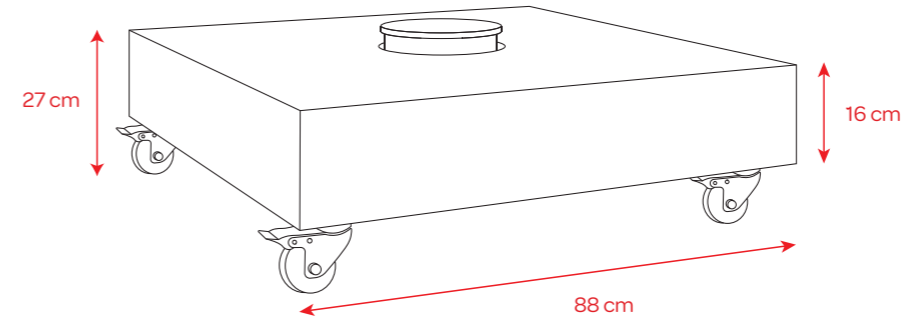
Installed Wind Rating	65kmph	65kmph	50kmph	50kmph
Free Standing Base Wind Rating	30kmph	30kmph	30kmph	30kmph

Cross base with Aluminium Cover



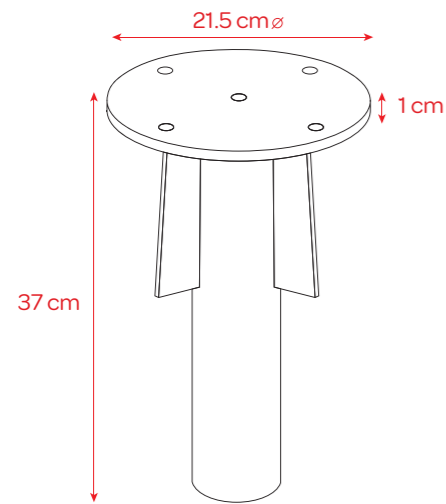
Weight: 40 kg
 Finish: Zinc plated, aluminium cover
 Boxed size: 93 cm x 90 cm x 21 cm
 Boxed weight: 43 kg
 Requires: 12 x 40 cm x 40 cm 4 cm
 Pavers (not included)
 Weight when filled: 240 kg

Wheeled free standing base



Weight: 40kg
 Finish: Zinc plated, aluminium cover
 Boxed size: 93cm x 90cm x 21 cm
 Boxed weight: 43kg
 Feature: Locking wheels optional
 Requires: 12 x 40cm x 40cm 4 cm
 Pavers (not included)
 Weight when filled: 240kg

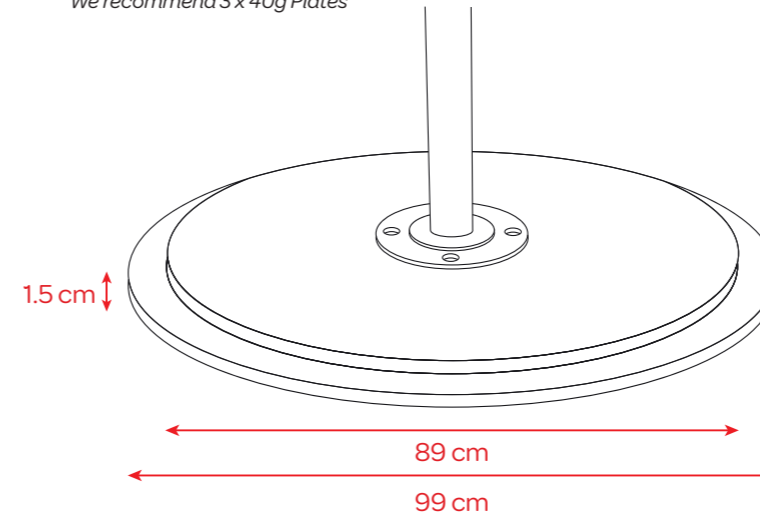
In-ground fitting



Weight: 6 kg
 Finish: Galvanised steel
 Box size: 40 cm x 23 cm x 23 cm
 Boxed weight: 7 kg
 Spigot hole distance: 12 cm

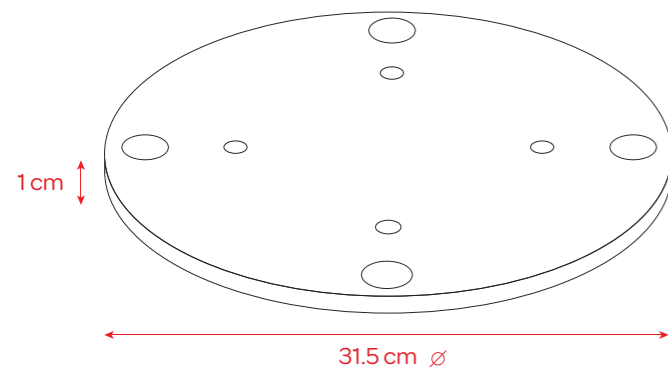
Galvanised Stack

We recommend 3 x 40g Plates



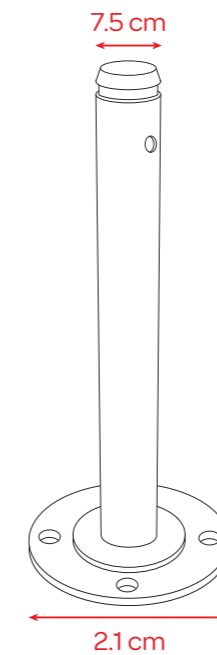
36 G
 Weight: 68kg
 Diameter: 89cm
 Height: 1.5cm
 40 G
 Weight: 84kg
 Diameter: 99cm
 Height: 1.5cm

Cantilever base plate



Weight: 7 kg
 Finish: Black PC, Grey PC or
 316 Stainless Steel
 Boxed size: 33 cm x 33 cm x 2 cm
 Boxed weight: 8 kg
 Spigot hole distance: 12 cm
 Installation hole distance: 22 cm

Steel Spigot



Weight: 5.5 kg
 Height: 52 cm
 Boxed Weight: 6.2 kg

ECLIPSE

BASIS

ECLIPSE KEY FEATURES

Extruded Aluminium Mast



Infinity Tilt System



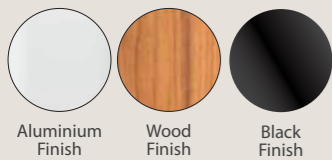
Silent Cranking System



Extruded Aluminium Joints



Frame Finish:



Available in 6 standard colours:
(huge range of non-standard colours available)

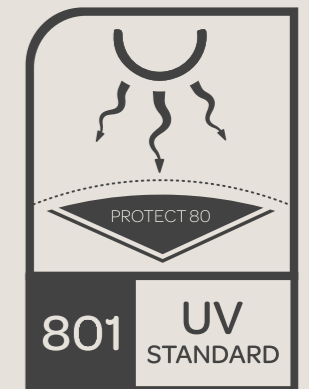
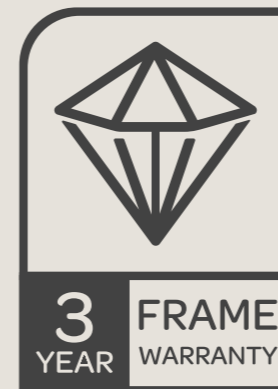


Acrylic - EUROPEAN MADE, 100% SOLUTION-DYED, ACRYLIC FABRIC - Our premium marine-grade fabric comes with a 5 year warranty and has the best available colour fastness rating of 7-8 out of 8*. It also has the highest possible rating of UPF 50+, reducing the maximum amount of harmful UV light for excellent sun protection - Available for Aoura, Eclipse and Nova.

*Fabric colours may vary slightly from printed swatches shown above



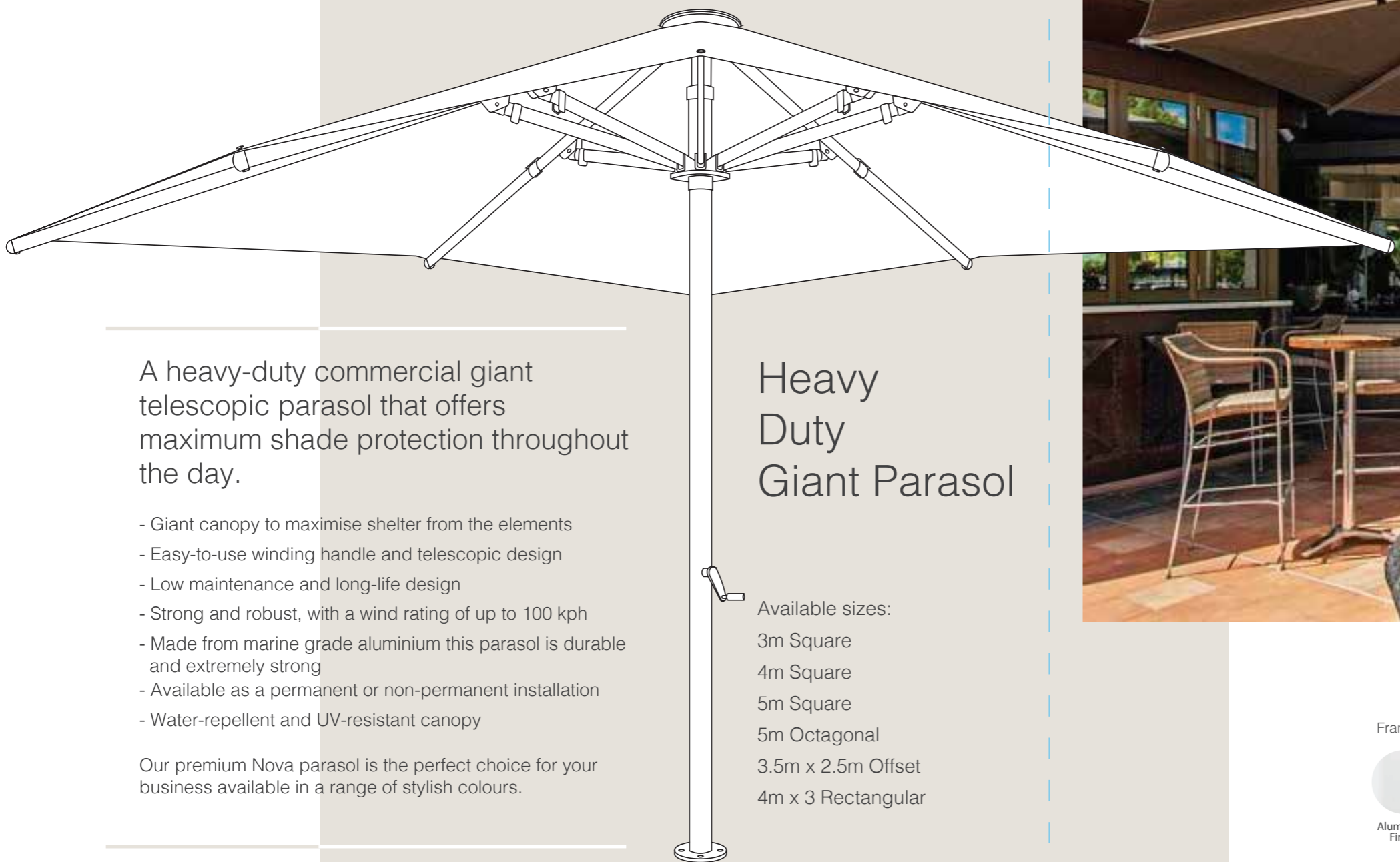
Strong, fibre glass arms for a sophisticated and long-lasting shade solution





BCALIPDSB

NOVA



A heavy-duty commercial giant telescopic parasol that offers maximum shade protection throughout the day.

- Giant canopy to maximise shelter from the elements
- Easy-to-use winding handle and telescopic design
- Low maintenance and long-life design
- Strong and robust, with a wind rating of up to 100 kph
- Made from marine grade aluminium this parasol is durable and extremely strong
- Available as a permanent or non-permanent installation
- Water-repellent and UV-resistant canopy

Our premium Nova parasol is the perfect choice for your business available in a range of stylish colours.

Heavy Duty Giant Parasol

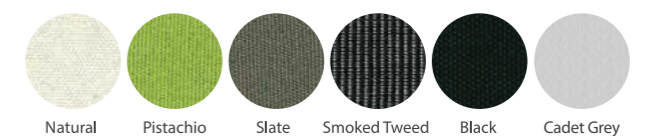
- Available sizes:
- 3m Square
 - 4m Square
 - 5m Square
 - 5m Octagonal
 - 3.5m x 2.5m Offset
 - 4m x 3 Rectangular

Frame Finish:

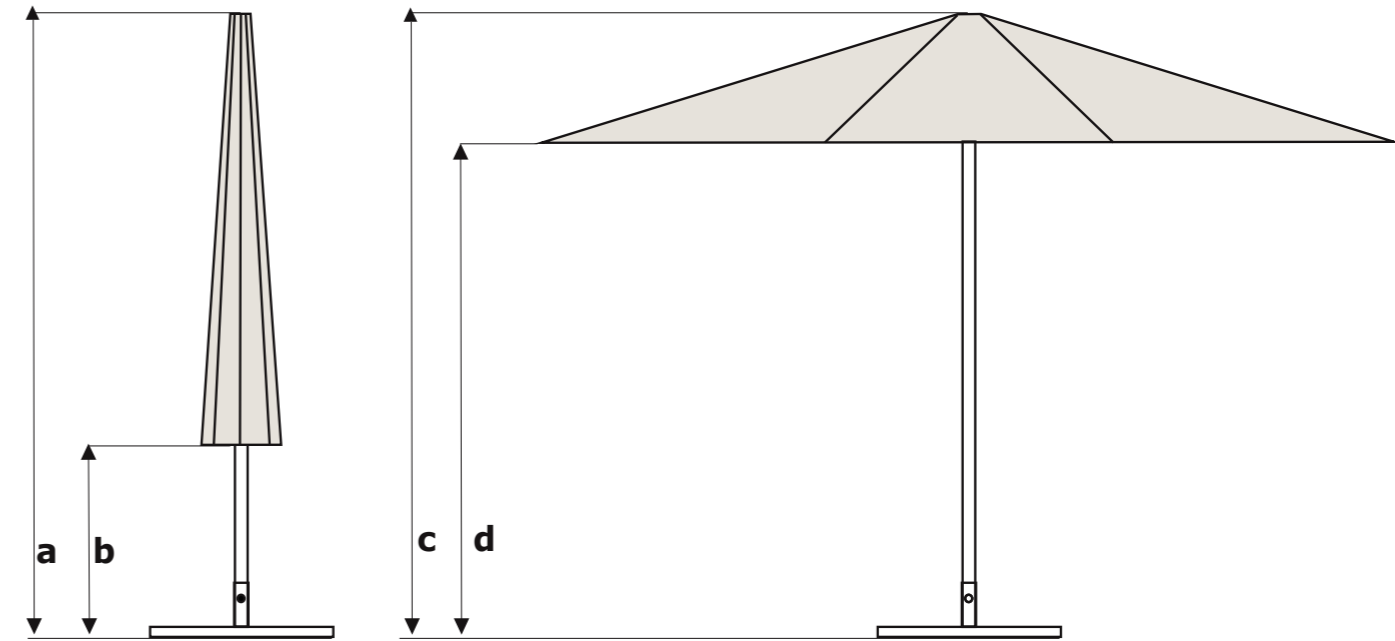


Aluminium Finish

Available in 6 standard colours:
(huge range of non-standard colours available)



Natural Pistachio Slate Smoked Tweed Black Cadet Grey



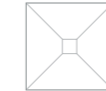
Dimensions

Measured from point to point. All measurements are rounded and are subject to change. Wind damage is not covered by the warranty.

3m Square



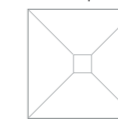
4m Square



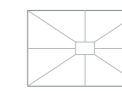
5m Octagonal



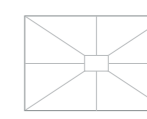
5m Square



3.5m x 2.3m



4m x 3m



NOVA
OFFSET
3.5m x 2.5m



Frame Specifications

Post (Outside diameter x thickness x length) (cm)	9.4 x 0.35 x 271.2	9.4 x 0.35 x 291.2	9.4 x 0.35 x 291.2	9.4 x 0.35 x 303.2	9.4 x 0.35 x 291.2	9.4 x 0.35 x 291.2	9.4 x 0.35 x 291.2
Long Arms (cm)	2.5 x 5 x 0.22	2.5 x 5 x 0.22	2.5 x 5 x 0.22	2.5 x 5 x 0.22	2.5 x 5 x 0.22	2.5 x 5 x 0.22	2.5 x 5 x 0.22

Dimensions of Closed Parasol

Height (cm)	400.5	418	419	446	432	432	432
Closed Canopy Clearance (cm)	189	133	170	91.5	176	183	176

Dimensions of Open Parasol

Height (cm)	285	308	308	316	311	306	311
Canopy Edge Height (cm)	231	232	232	232	243	233	243

Weight

Parasol (Unboxed) (kg)	85	95	95	110	90	95	90
------------------------	----	----	----	-----	----	----	----

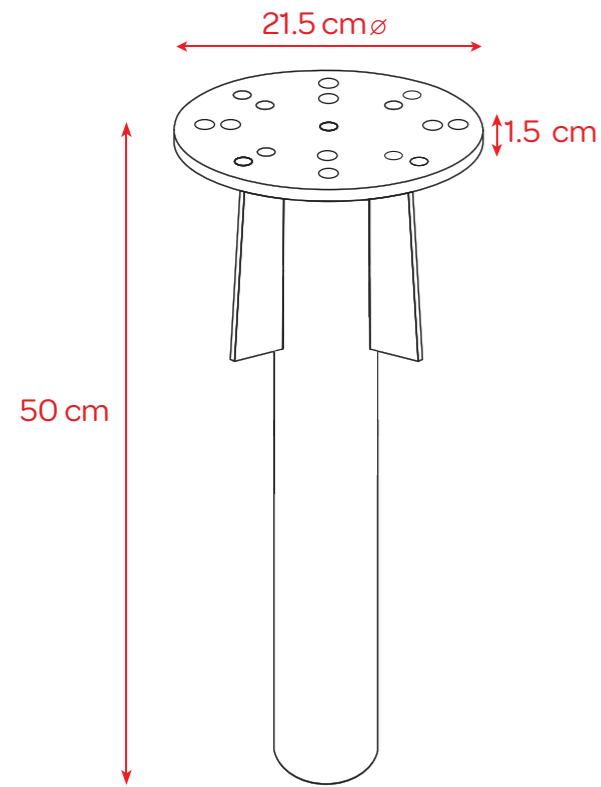
Packaging Dimensions

Total Length (Inc Post) (cm)	420 x 46 x 46	440 x 46 x 46	440 x 46 x 46	460 x 46 x 46	440 x 46 x 46	440 x 46 x 46	440 x 46 x 46
Weight (Boxed Umbrella) (kg)	100	100	110	115	100	100	100

Wind Rating Guide

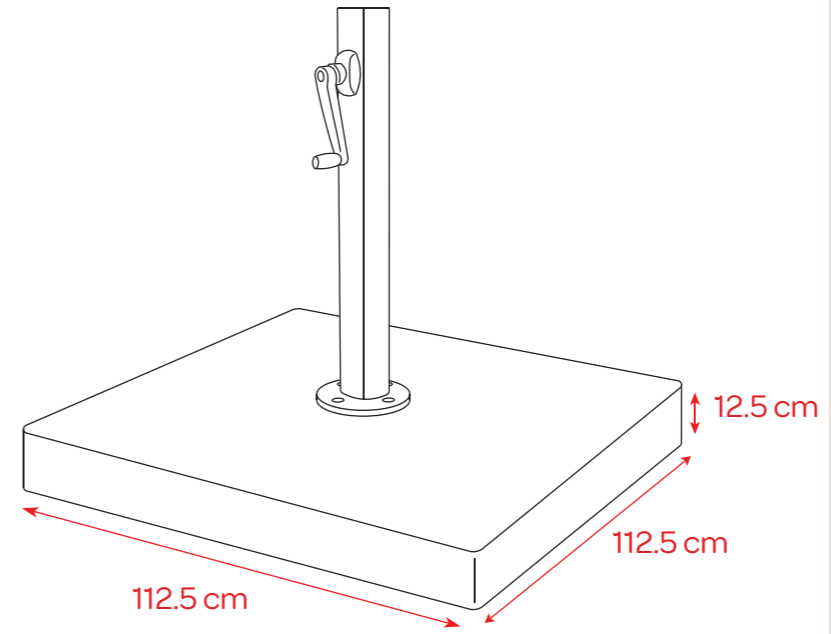
Install Wind Rating	100	90	90	80	100	90	100
---------------------	-----	----	----	----	-----	----	-----

Nova in-ground fitting



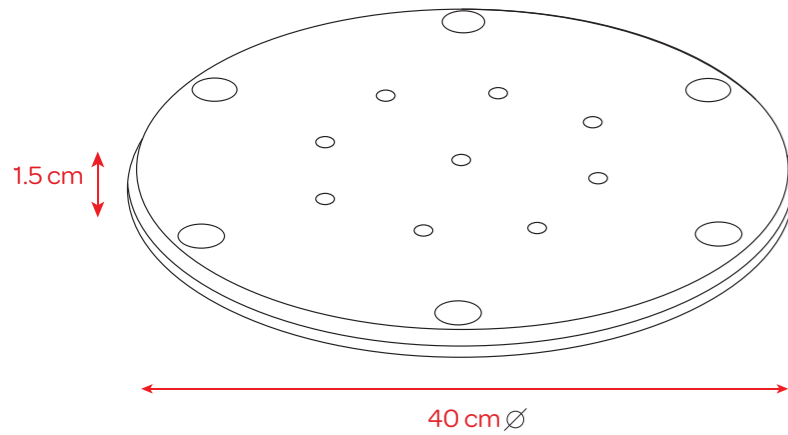
Weight: 8 kg
Finish: Galvanised steel
Box size: 56 cm x 23 cm x 23 cm
Boxed weight: 9 kg

Large free standing



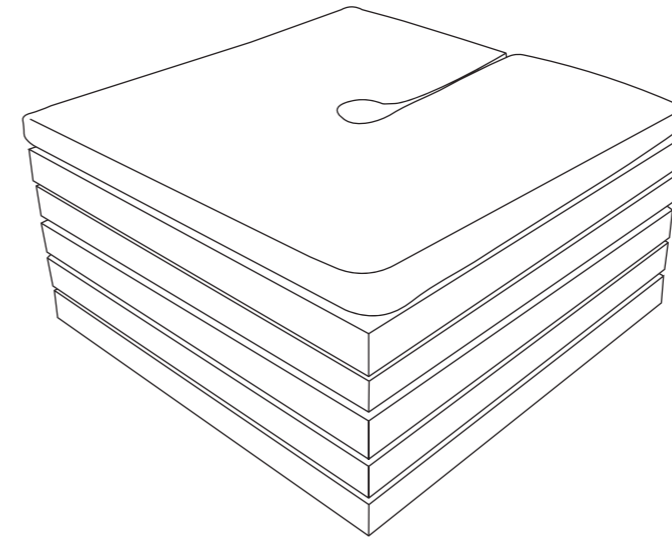
Weight: 66 kg
Boxed Weight: 69 kg
Boxed size: 114 cm x 114 cm x 14 cm

Nova base plate



Weight: 12 kg
Finish: Galvanised steel
Boxed size: 41 cm x 41 cm x 3 cm
Boxed weight: 13 kg
Spigot hole distance: 13 cm
Installation hole distance: 23 cm

Seated base box



Height: 500 mm
Width: 1091 mm
Depth: 1091 mm

*(can be painted to your colour choice,
cushion colour can be specified)*

NOVA

BASIS

NOVA

KEY FEATURES

Strengthened Extruded Aluminium Mast



Telescopic Crank System



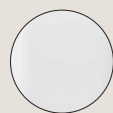
Double Reinforced Joints



Hinged Spigot for installation



Frame Finish:



Aluminium Finish

Available in 6 standard colours:

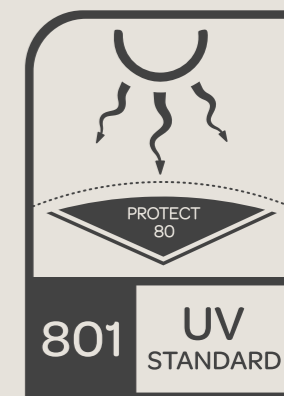
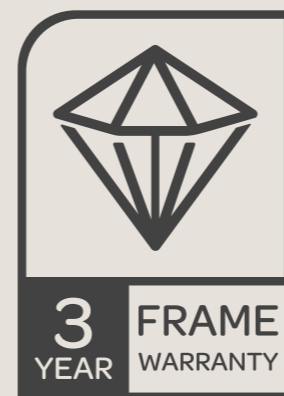
(huge range of non-standard colours available)



Acrylic - EUROPEAN MADE, 100% SOLUTION-DYED, ACRYLIC FABRIC - Our premium marine-grade fabric comes with a 5 year warranty and has the best available colour fastness rating of 7-8 out of 8*. It also has the highest possible rating of UPF 50+, reducing the maximum amount of harmful UV light for excellent sun protection - Available for Aroua, Eclipse and Nova.



Marine grade aluminium frame, hubs & arm connectors

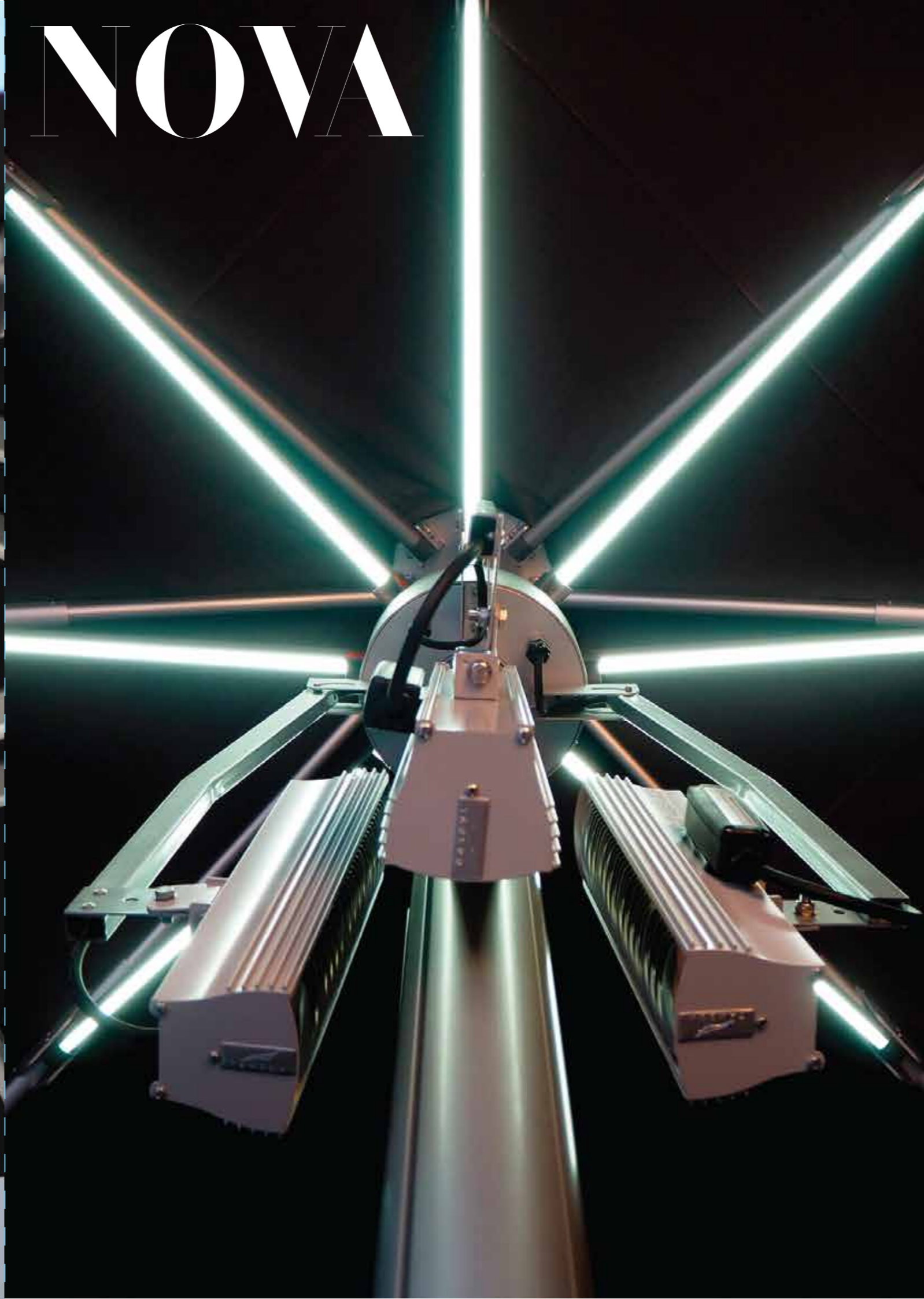


*Fabric colours may vary slightly from printed swatches shown above

NOVA



NOVA



NOVA

OFFSET

The Nova Offset parasol offers a unique size that makes it suitable for fitting into specific areas where traditional parasols might not be ideal. Its offset design allows it to provide shade without the obstruction of a center pole, making it perfect for areas with furniture, pathways, or other obstacles where a center post would be inconvenient.

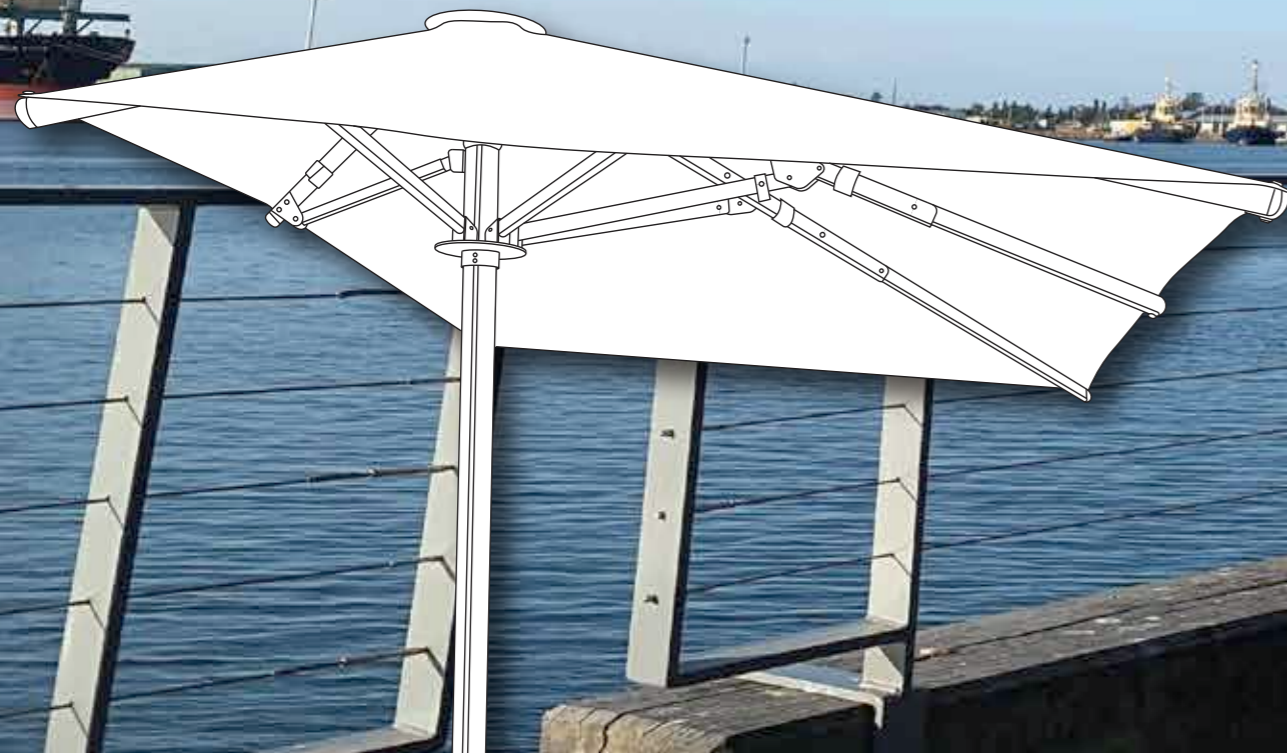
The offset design typically means that the canopy extends from a side pole rather than a central one. This configuration offers several advantages:

Space Optimisation: The offset design allows the parasol to cover a designated area without occupying valuable space underneath, making it perfect for smaller outdoor spaces or areas where a center pole would be intrusive.

Flexibility: The offset design provides flexibility in placement, allowing the parasol to be positioned to provide shade precisely where it's needed most.

Unobstructed Views: Unlike center post parasols, which may obstruct views or create obstacles, the offset design ensures that there are no obstructions under the canopy, providing an unobstructed view for those seated or standing beneath it.

Enhanced Aesthetics: The sleek and modern design of the Nova Offset parasol adds an aesthetic appeal to outdoor spaces, enhancing the overall look and feel of the area.



NOVA

Our Nova commercial parasol is now available with integrated LED lights and optional heating.

- Integrated LED light kit built into Nova mast
- Operate via remote control
- Colour change function
- Low voltage
- 10m Cable included
- Bespoke heat options available

Heat & Light

Heat

& Light

6.5kw receiver with remote

This receiver is IP rated, and needs to be fitted within 50m of the parasol, generally near the fuse board. This receiver can be used as a switch, or it is designed to be paired with a remote control. Instructions on pairing are included with the receiver. Ideally this is done by the electrician at the same time.

4kw Time Lag Switch

The time lag switch can be mast or wall mounted (must be specified beforehand). It can be set to a pre-determined time. This means when the button is pressed the heaters will come on and automatically switch off after a set period of time.

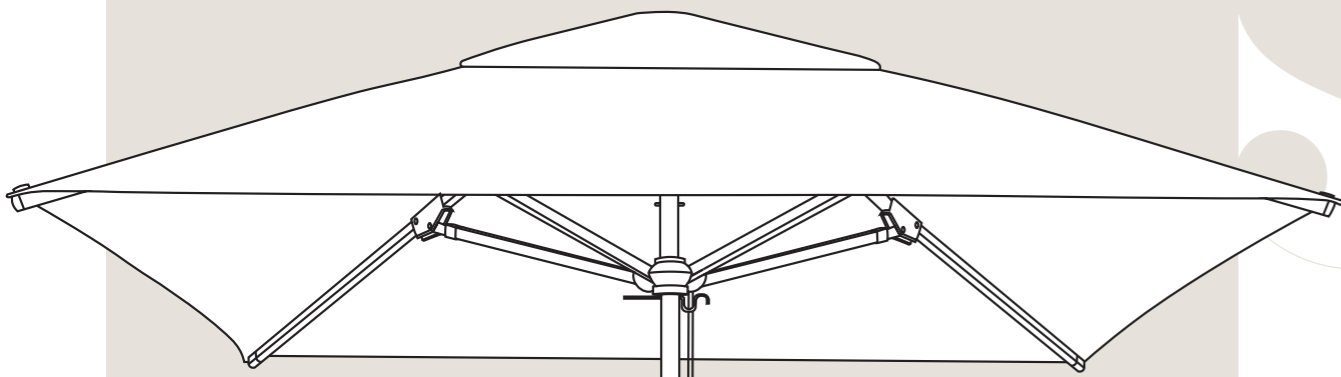
LED Lighting

If purchasing LED lighting alone, you will have a transformer that needs to be fitted, generally on a wall where it will be plugged in. The LED lighting can then be used with an outdoor switch (not supplied), or controlled via a Bluetooth app. It is also possible to pair the app with a remote. If purchasing LED lighting combined with heat, the transformer will be located in the central hub.

Our Nova with heat and light has various configuration options depending on your needs. We have included the most popular options in this specification booklet, however if you do need something different, we will be able to assist. All Nova parasols with electric will be supplied with relevant connectors at the bottom, however all connections must be completed by a qualified electrical contractor. Instashade do not provide cables or provide electrical work unless specified beforehand. Your electrician will determine what cables are needed, by working out the voltage drop. Generally armored is needed is underground.



CAFÉ SERIES



Modern Market Parasol

Available sizes:
2m x 2m
2.8m Octagonal
3m x 3m
4.2m Octagonal

A premium parasol built to endure the elements all year round.

- The finest, most lightweight aluminium frame on the market
- Effortlessly open and close with the rope and pulley system
- Easy to install, with a movable base or in-ground fitting
- Stores neatly away in a compact, vertical format
- Various sizes and colours available for your home or business
- Strong, wind-resistant design
- Water-repellent and UV-resistant canopy

Our stylish Café Series parasol is perfect for cafes, bars and restaurants, as well as residential use, with a durable olefin canvas in several contemporary colours.



SERIES

Frame Finish:



Aluminium Finish



Natural



Slate



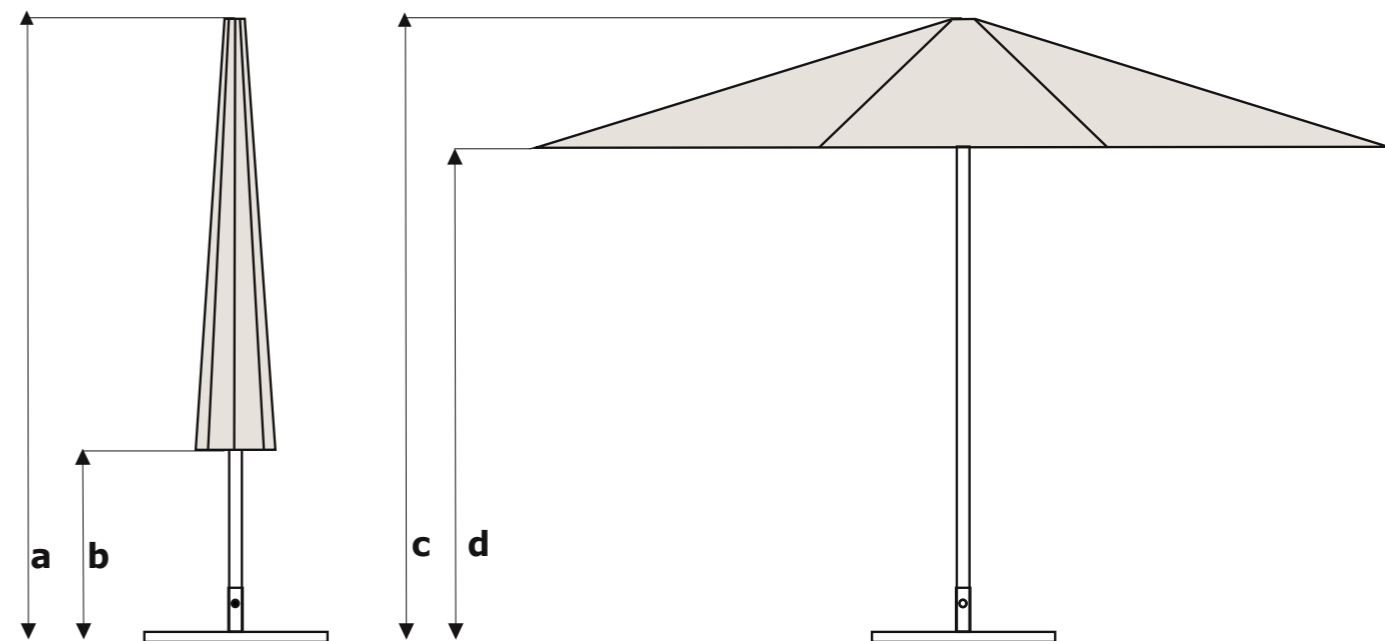
Smoked Tweed



Black

Available in 4 standard colours:
(huge range of non-standard colours available)

CANBERBURY PARASOLS



Dimensions

Measured from point to point. All measurements are rounded and are subject to change. Wind damage is not covered by the warranty.

Frame Specifications

	2m Square	2.8m Octagonal	3m Square	4.2m Octagonal
Post (outside diameter x thickness x length) (cm)	4 x 0.2 x 260 Aluminium	4 x 0.2 x 260 Aluminium	5 x 0.2 x 290 Aluminium	5 x 0.2 x 290 Aluminium
Long Arms (cm)	1.8 x 2.4 x 0.12	1.8 x 2.4 x 0.12	1.8 x 3 x 0.12	1.8 x 3 x 0.12

Dimensions of Closed Parasol

	2m Square	2.8m Octagonal	3m Square	4.2m Octagonal
a: Total Height (cm)	260	260	290	290
b: Closed Canopy Clearance (cm)	100	100	75	75

Dimensions of Open Parasol

	2m Square	2.8m Octagonal	3m Square	4.2m Octagonal
c: Total Height (cm)	260	260	290	290
d: Canopy Edge Height (cm)	205	205	210	210

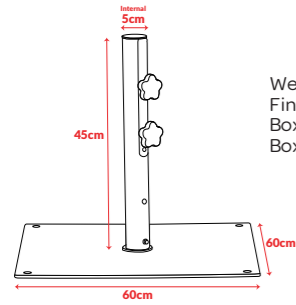
Weight & Packing Dimensions

	2m Square	2.8m Octagonal	3m Square	4.2m Octagonal
Total Length (inc post) (cm)	167 x 20.5 x 20.5	167 x 20.5 x 20.5	296 x 23 x 23	296 x 23 x 23
Weight Boxed (kg)	9.5	13	18	21.5
Weight Unboxed (kg)	6.5	9.5	14.5	16.5

Wind Rating Guide

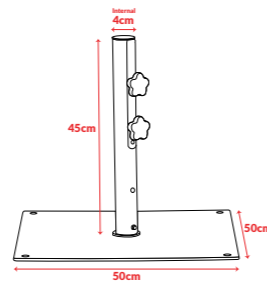
	2m Square	2.8m Octagonal	3m Square	4.2m Octagonal
Installed Wind Rating	60kmph	60kmph	60kmph	60kmph

19kg Black Steel Plate



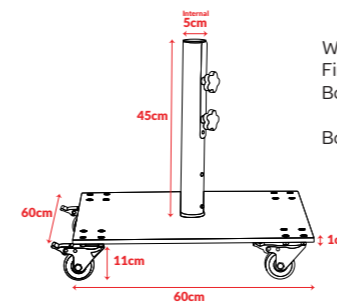
Weight: 19kg
Finish: Black Powdercoat
Boxed size: 65cm x 65cm x 10cm
Boxed weight: 20kg

14kg Black Steel Plate

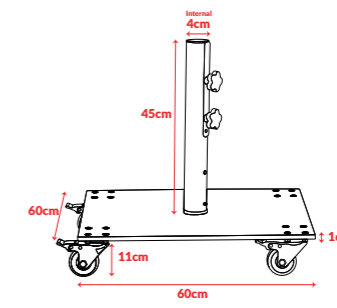


Weight: 14kg
Finish: Black Powdercoat
Boxed size: 55cm x 55cm x 10cm
Boxed weight: 15kg

Wheel Base

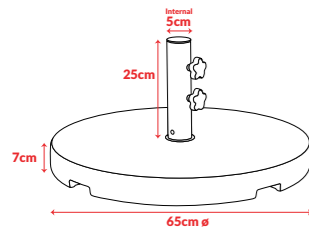


Weight: 35kg
Finish: Black Powdercoat
Boxed size: 72cm x 68cm x 11cm (base)
27cm x 17cm x 15cm (wheels)
Boxed weight: 47kg



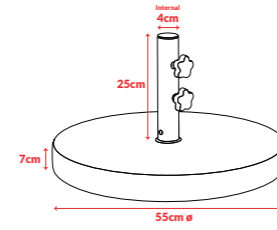
Weight: 35kg
Finish: Black Powdercoat
Boxed size: 72cm x 68cm x 11cm (base)
27cm x 17cm x 15cm (wheels)
Boxed weight: 47kg

45kg Concrete Ring



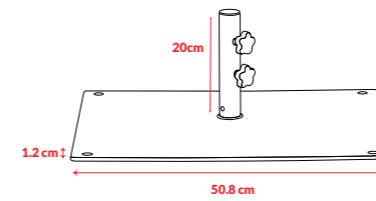
Weight: 45kg
Spigot: 304 Stainless Steel
Finish: Moulded Nylon, concrete filled
Boxed size: 81cm x 71cm x 10cm
Boxed weight: 48kg

35kg Concrete Ring



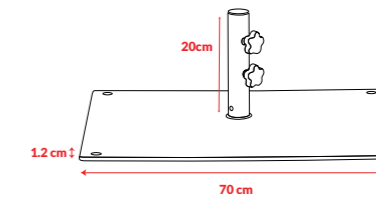
Weight: 35kg
Spigot: 304 Stainless Steel
Finish: Moulded Nylon, concrete filled
Boxed size: 70cm x 60cm x 10cm
Boxed weight: 37kg

35kg Galvanised Steel Plates



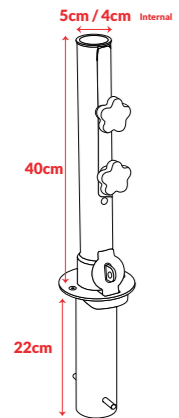
weight: 35kg
base diameter: 50.8cm
base height: 1.2 cm
total height: 22 cm
Finish: Galvanised / Stainless Steel

45kg Galvanised Steel Plates



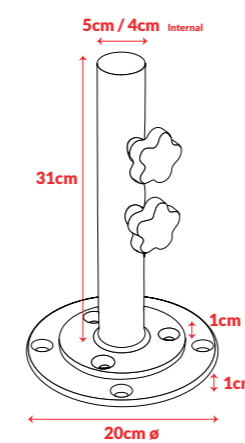
weight: 45 kg
base diameter: 70 cm
base height: 1.2 cm
total height: 20.3 cm
Finish: Galvanised / Stainless Steel

Centre Post Inground



Weight: 5kg
Spigot Size: 40mm & 50mm
Finish: Galvanised steel w/ 304 SS lid
Boxed size: 67cm x 13cm x 13cm
Boxed weight: 6kg

Centre Post Deck Plate



Weight: 5kg
Spigot Size: 40mm & 50mm
Finish: 316 Stainless steel
Boxed size: 23cm x 23cm x 3cm (plate)
36cm x 13cm x 13cm (spigot)
Boxed weight: 6kg
Installation hole distance: 12cm



CAFÉ SERIES BASES

CAFÉ SERIES KEY FEATURES

Rope and Pin System



Strong Nylon Connectors



Internal Pin Guid For Easy Insertion



Cover Bag Available



Frame Finish:



Aluminium Finish

Available in 4 standard colours:
(huge range of non-standard colours available)



Natural



Slate



Smoked Tweed



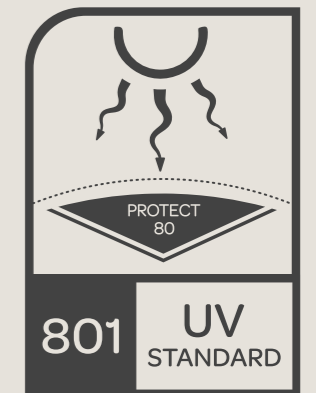
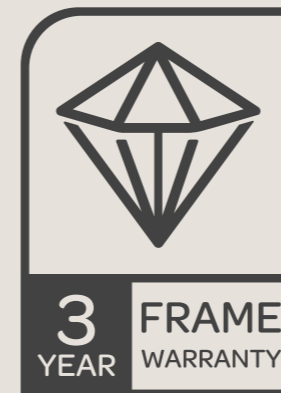
Black

Olefin - 100% Solution Dyed Fabric - Olefin is naturally resistant to chemicals, water-based stains, and mildew. Olefin comes with a 3 year warranty. It also has the highest possible rating of UPF 50+ protecting against harmful UV light for excellent sun protection. It also is resistant to sunlight fading - Available for Café series.

*Fabric colours may vary slightly from printed swatches shown above



Silver anodised Aluminium frame and arms.



WALL MOUNTED SUN PARASOL

Available in 5 standard colours:
(huge range of non-standard colours available)



Natural



Pistachio



Slate



Smoked Tweed



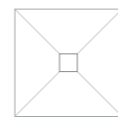
Black

Sensible and stylish, our wall mounted umbrella is the ideal shade solution for small spaces.

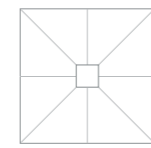
Simply attach the wall mounted parasol to a post, wall or building then use the simple click bracket for effortless operation and quick removal. Whether for a small balcony or outdoor patio, it is ideal to provide shade in sheltered, low wind spaces where a conventional parasol is impractical. As your wall mounted sun parasol can be tilted and freely moved, it can easily be moved and adjusted to provide you with sun shade throughout the day

- 270cm Hexagonal Canopy
- 4.7m² shade coverage
- 2m long arm
- 8kg in weight

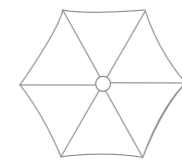
WALL MOUNTED SUNSHADES



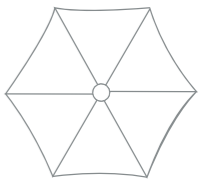
1.9m Square



2.3m Square



2.7m Round



3m Round

- 4.7 m² shade coverage
- 2m long arm
- 8kg in weight

Wall Mounted evolution holder
Contemporary – SQ 230 / R 300



200 (6'7")



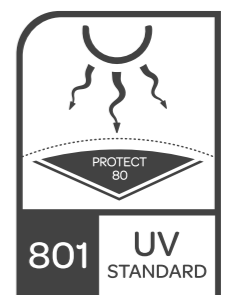
2 YEAR FRAME WARRANTY



5 YEAR FADE WARRANTY



50 KM/H WIND RATING



801 UV STANDARD



LED Lighting

Our rechargeable LED strip lights operate on full power up to 8 hours once fully charged and up to 16 hours on half power!
Available for Aurora, Eclipse, Nova and Café Series.



Stabilizing Bars

Our stabilising bars can be added to assist rigidity in a wider range of wind conditions.
Available for Aurora and Eclipse.



Sand Bag Weights

Where extra stability is required our sandbag weights can be added. Manufactured from high quality PVC they are designed to fit to our steel base plates. Once filled they weigh around 15kg
Available for Café Series.



Cover Bag

Our high quality protective cover bags can be placed over your parasol when not in use. The heavy duty canvas cover has an aluminium pole to make it simple to reach and easily fit over the parasols.
Available for Aurora, Eclipse, Nova and Café Series.



Barrel Extension

The barrel extension is used when extra height is needed. This extends the height of the parasol by 20cm.
Available for Aurora and Eclipse.



Stainless Steel Spigot

Optional upgrade for fixing the parasol to a patio or deck in environments with extreme exposure to salt water, or for customers who prefer the look of stainless steel.
Available for Aurora and Eclipse.



FABRIC SWATCHES

WHAT SETS US APART FROM OUR COMPETITORS?

WE ARE THE INDUSTRY LEADERS IN THE OUTDOOR SHADE SPACE, WITH OUR COMMITMENT TO PROVIDING UNMATCHED FADE WARRANTY ON OUR FABRICS... *WE'RE WOVEN DIFFERENTLY!*

FIBER



Our 100% solution-dyed acrylic fibers originate from a liquid acrylic polymer solution. Colour pigments are then added to the polymer solution before the fiber is extruded.

YARN



During the spinning process, the liquid is transformed into yarn that is fully dyed. This means the colour does not just remain on the surface, but it is consistent right from the heart of the yarn.

FABRIC



This results, 100% solution dyed acrylic fabrics have exceptional color retention as well as excellent technical properties and UV and weather resistance.

COLOURS

Premium Acrylic Canvas



white | R099 linen | R126 pearl | R114 natural | R117 tan | R100



yellow | R554 orange | R567 pumpkin | R185 salmon | R105 red | R176



vermillion | R182 burgundy | R177 jade | R187 pistachio | R160 khaki | R162



Forest green | R102 teal | R292 turquoise | R171 lilly | R110 sapphire | R229



light blue | R193 steel blue | R169 pacific blue | R172 sailors navy | R170 chestnut | R104



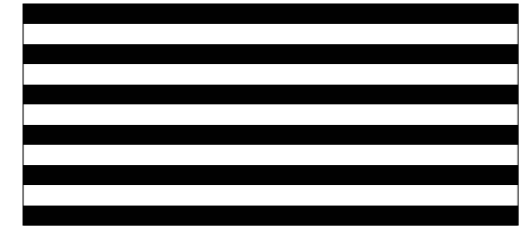
chocolate | R156 cadet grey | R138 Slate | R127 charcoal grey | R164 carbon | R150



smoked tweed | R770 black | R103 Yellow stripe | R55 orange stripe | R5 Red stripe | R12



turquoise stripe | R11 teal stripe | R14 blue stripe | R16 navy stripe | R65 black stripe | R17



8cm Stripe repeat

OLEFIN CANVAS



natural | o117 slate | o127 smoked tweed | o770

Acrylic - EUROPEAN MADE, 100% SOLUTION-DYED, ACRYLIC FABRIC - Our premium marine-grade fabric comes with a 5 year warranty and has the best available colour fastness rating of 7-8 out of 8*. It also has the highest possible rating of UPF 50+, reducing the maximum amount of harmful UV light for excellent sun protection - Available for Aroura, Eclipse and Nova.

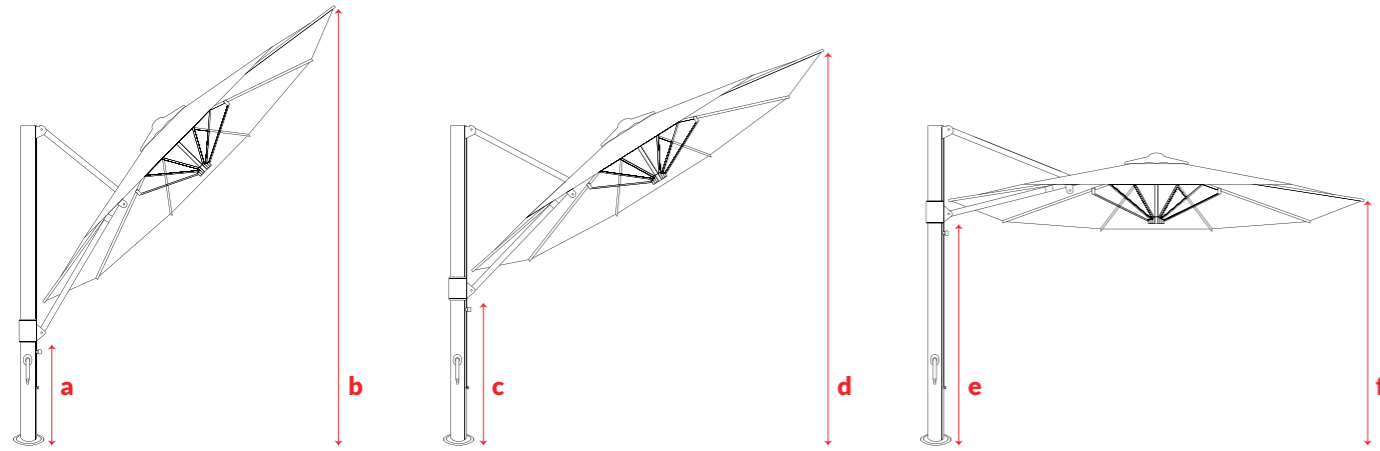
*Cadet Grey Unavailable for Café Series

*Fabric colours may vary slightly from printed swatches shown above

Olefin - 100% Solution Dyed Fabric - Olefin is naturally resistant to chemicals, water-based stains, and mildew. Olefin comes with a 3 year warranty. It also has the highest possible rating of UPF 50+ protecting against harmful UV light for excellent sun protection. It also is resistant to sunlight fading - Available for Café series.

Cantilever Tilt Measurements

ECLIPSE & AURORA TILT MEASUREMENTS



AURORA TILT MEASUREMENTS

	2.8m Sq	3.5m Oct
a:	1310mm	1180mm
b:	3950mm	3990mm
c:	1680mm	1645mm
d:	2590mm	2770mm
e:	2050mm	2110mm
f:	2050mm	2110mm

ECLIPSETILT MEASUREMENTS

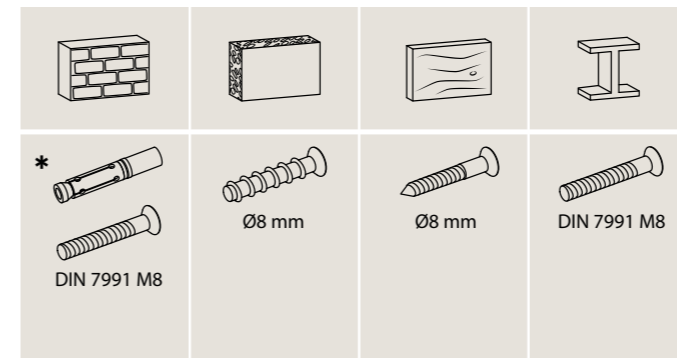
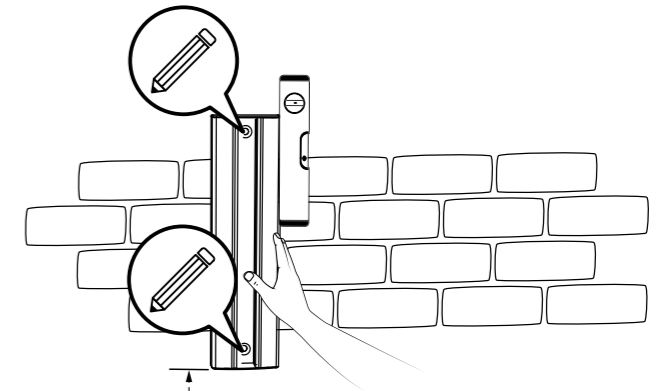
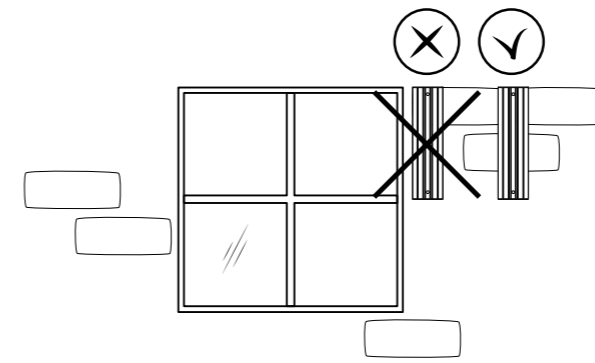
	3m Sq	4m Oct	3.5 Sq	3m x 4m Rect
a:	1170mm	1030mm	1080mm	1300mm
b:	3800mm	4450mm	3710mm	3890mm
c:	1650mm	1585mm	1570mm	1730mm
d:	2730mm	2885mm	2620mm	2680mm
e:	2130mm	2140mm	2060mm	2160mm
f:	2130mm	2140mm	2060mm	2160mm



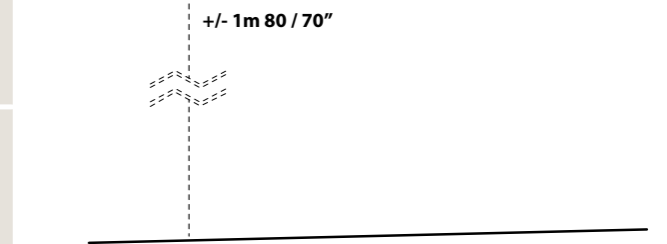
Measurement A, has been taken from under the slider car. Measurement B, has been taken from under the canopy
All measurements are intended to be used as a guide only. You need to considers factors like, uneven surface etc

Wall Mount Umbrella Installation

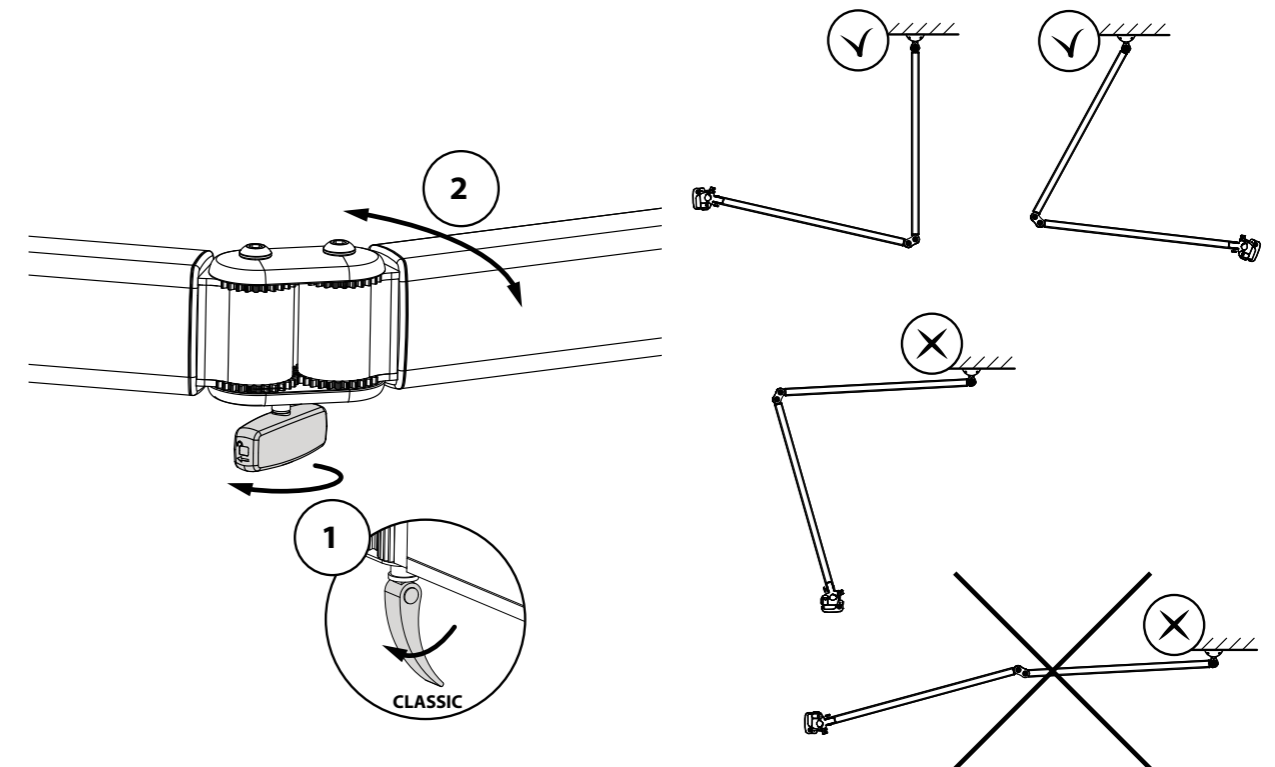
WALL MOUNT UMBRELLA PLACEMENT



*Dyna Bolts Supplied for solid brick or concrete wall. Other fixings are not included.



PARAFLEX USER INSTRUCTIONS



CAUTION: Do not use rotating function during winds. Doing so may cause damage to your umbrella.

PRINTING & BRANDING

Vale Royal Abbey

Vale Royal Abbey

Bespoke solutions for your outdoor space...

Make your InstaShade parasol unique, by customising your design with our parasol printing service. Our parasols can be branded with your logo, slogan or a quirky message, with printing on the roof panels or valance available.

The anodised aluminium frames and distinctive colours, these parasols are perfect for hospitality clients, as well as events, markets, shows and exhibitions. Our parasols can be installed on a permanent or mobile basis, with café barriers and event flags to match

For more information about printing and branding, get in touch with our team.

INSTALLATION

Our Installation service...

We offer an installation service for all of our luxury parasols. Installation can include the fitting of the in-ground base which is perfect for paving slabs, grass or gravel and the base plates fitted into solid concrete patios or onto decking (wood or millboard). Installing our parasols can be a DIY experience or we can take care of that for you and we can take the hassle away and sort it all for you and our team will come to site and install and give you a demonstration of the parasol.



IN-Ground Soil



Base Plate on Decking



Base Plate On Concrete



IN-Ground Patio



CLEANING GUIDE

CARE AND MAINTENANCE

Umbrella Canvas cleaning

Cleaning should be carried out on a bi-monthly basis to keep the umbrella canopy looking it's best. The umbrella canopy can be left on the umbrella frame or remove the canopy from the frame and lay it down on a clean surface for more thorough cleaning. Never store your umbrella away or use the protective cover while the canopy is still wet as mould and mildew may develop.

Light or General Cleaning

To clean the umbrella fabric while the canopy is still on the frame, follow these simple steps:

- Use a brush to remove any dust, loose dirt or bird droppings
- Hose down fabric
- Mix up a bleach
- Free soap cleaning solution (eg. dish-washing liquid) in a bucket
- Use a soft bristle brush to scrub the canvas, never use hard bristles as this can damage the fabric
- Rinse thoroughly with fresh water until all the cleaning solution is removed
- Allow the canopy to completely air-dry

Intensive Cleaning for Stubborn Stains and Mildew

Our fabrics have some resistance to mildew, mould and fungus but if allowed to grow it can still develop. Use this cleaning method only as a last resort and apply with care.

- Prepare a solution of 4 liters of water to 1 cup of bleach and mix well
- Allow the mixture to soak into the fabric for 10 minutes
- Blot the fabric with a cloth or sponge in heavily stained spots
- Rinse several times with fresh water until all the cleaning solution is removed
- Allow the canopy to completely air-dry

Note: Do not use the above method for printed umbrella canopies as it may destroy the colour pigments in the print.

Handy Hints

Only use cold water

Always air-dry fabrics and never use an electric drier

Protect the area where you're washing the umbrella canopy as the bleach solution may discolour the umbrella frame, plastic parts, bases or other items nearby

Bleach may deteriorate other items such as sewing thread, do not use if canopy is 5+ years

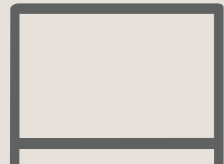
Protect the environment when using bleach, avoid cleaning near bodies of water and wildlife.

Stain Table

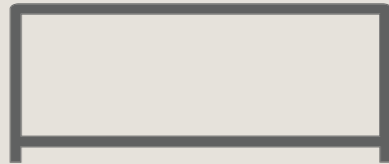
Below is a list of stains and the recommended cleaning solutions This table contains our recommended cleaning methods for our marine fabrics for common stains. For best results, stains should be cleaned as soon as they occur. Set-in stains may require professional cleaning. After cleaning with the below solutions, always rinse fabric thoroughly and air dry.

STAIN	CLEANING SOLUTIONS
Berry	Combine 1/4 cup dishwashing liquid and 1/2 cup - 1 cup white vinegar per 4 litres water.
Bird droppings, tea, coffee, juice, mustard	Combine 1/4 cup dishwashing liquid per 4 litres water
Beer, vomit	Combine 1/4 cup dishwashing liquid and 1/3 cup white vinegar per 4 litres water.
Tree sap, butter, oil/ grease, sunscreen	Apply cornstarch as an absorbent, remove excess with a straight edge, clean up residual with dishwashing liquid and water.
Blood (dried)	Combine 1/4 cup dishwashing liquid and 1/2 cup - 1 cup ammonia per 4 litres water.
Chewing gum	Treat with isopropyl alcohol. Then clean with 1/4 cup dishwashing liquid per 4 litres water
Chocolate	Combine 1/4 cup dishwashing liquid and 1/2 cup hydrogen peroxide per 4 litres water
Ink	Treat with volatile solvent (acetone 100%). Then clean with soap and water and rinse thoroughly
Iron Rust	Treat with CLR® and rinse thoroughly
Mold or mildew	Combine 1/4 cup dishwashing liquid and 1 cup bleach per 4 litres water
Wax	Apply heated iron over towel. Treat with isopropyl alcohol. Then clean with 1/4 cup dishwashing liquid per 4 litres water.
Wine	Combine 1/4 cup dishwashing liquid, 1/3 cup white vinegar and 1/2 cup - 1 cup isopropyl alcohol or hydrogen peroxide per 4 litres water.





1m Café Screen
Length with frame: 1118mm
Height with frame: 870mm
Frame Diameter: 140mm



2m Café Screen
Length with frame: 2026mm
Height with frame: 870mm
Frame Diameter: 140mm

Our premium café screens are a high quality addition to our range and can work perfectly with our parasols

Create a dedicated outdoor space for your café, bar or restaurant with premium café screens. Our branded barriers are a quality addition to your exterior, the perfect complement to our luxury parasols.

Easy to move and link together, these fully modular barriers make a great choice for exhibitions, markets and events. With no tools required, you can set up an exclusive space for customers in minutes.

- Screen or full digital print available
- PVC, acrylic or polyester banners available
- Fully modular
- Available in 1m and 2m sizes
- Quantity discounts available
- Double feet available for joining barriers together
- Double or single sided print options

CAFÉ SCREENS



OUTDOOR HEATING



A touch of warmth for your exterior...

Make your outdoor space cosy with our heating solutions, to take the edge off chilly nights and cool winter days. Instashade offer attractive infrared heating units for bars, terraces and alfresco dining areas

Designed in the UK, our eco-friendly outdoor heaters are a cost-effective addition to any residential or commercial space.

Whatever the size, layout and purpose of your outdoor area, Instashade will ensure that you receive the perfect solution.



HEATDOME

Unique and practical, the sophisticated HeatDome light and heat outdoor entertainment system operates through standard power points. The InstaShade HeatDome uses 5 x less energy compared to a standard gas-fuelled patio heater.

- Radiating heat range of 5m
 - Light with control that can be dimmed
 - Base comes with two wheels (4 wheel upgrade available)
 - Available in Black or White (custom RAL colours available).
 - Bluetooth Music, with 2 x 80 Watt waterproof speakers available
 - Control with two positions for heating, 1500 or 3100 Watt.
 - Consumption – 2.97kw/h
 - Infrared Heat – 2850 Watt
 - Lighting – 120 Watt
-

HEAT DOME PENDANT

With its timeless design The Dome Patio Heater and Pendant Light adds an air of elegance to any garden or patio. Made from galvanised steel and the hood from aluminium it can be left outside all year round even withstanding our good old British winters! A perfect solution to those cool summer evenings, radiating heat up to 5 metres, keeping you and your friends toasty whilst enjoying a drink or two. With a handy remote control both light and heat settings can be adjusted easily. Using less energy than typical outdoor heaters and with zero emissions, you can enjoy your outdoor space for longer without feeling guilty! Also available as a freestanding lamp in black or white, these stylish outdoor lights and heaters are a garden must-have!

WALL BRACKET

BOW BRACKET



With its timeless design, The Heat Dome Pendant Wall Bracket add an air of elegance to any garden or patio. Made from galvanised steel with an aluminium hood, it can be left outside all year round, withstanding the notorious British weather.

This outdoor heater radiates heat up to 5 metres, perfect for those cool summer evenings, keeping you and your loved ones toasty.



Elevate your outdoor experience with The Heat Dome Pendant Bow Bracket, the epitome of elegance for your garden or patio. This luxurious outdoor heater is designed to seamlessly blend timeless style with modern functionality, making it a quintessential addition to both residential and commercial settings.

Our unique Heat beam is the perfect alfresco solution for making our outside area a useable space. Available in four sizes to suit most locations...

HEAT BEAM



Available in 4 sizes – 2300mm, 2900mm, 3900mm and 5200mm
Control light and heating separately
Two different heat settings
FAR-infrared technology
Remote control included
Light dimmable with remote
Powder coated aluminium profile, can stay outside all year round
100% Electric – 3kW or 4kW of power needed
Black Colour
Perfect for residential or commercial setting
Must be fitted by qualified electrician



TWIG HEATER



The TWIG Heater seamlessly merges functionality with elegance.

Its contemporary design, characterized by clean lines, adds a touch of sophistication to any outdoor setting, rendering the TWIG not only inviting but also fashion-forward. Despite its easy portability, this heater delivers impressive warmth, ensuring even the chilliest evenings are cozy.

Thanks to its foldable design, moving the TWIG around is a breeze, and comes with a convenient cover for protection.

Additionally, the TWIG can be swiftly detached from its base for hassle-free storage, offering unparalleled convenience.



GLOW



The GLOW consists of sets of 3 or 5 pieces.

Suspend each piece separately, or opt for one of the optional ceiling modules to suspend them in a circle or in a line. You can also opt for a control box with which you can dim the lights using a remote control and switch the heating on.

The light can be used with or without heating. You can simply dim the light with the optional remote control.

Discrete far-infrared heating gives you a delightful warm setting to relax in. Control your surrounding temperature with our 2 heat settings.

100% electric meaning it does not emit CO2 and has a low energy consumption.

The GLOW collection is made of high quality materials such as aluminium and stainless steel, making it suitable for outdoor use.



CAFE SERIES PARASOL HEATER

The Instashade Parasol Heater is a high end, simple solution for retro-fitting heaters to our Cafe Series range of parasols.

These outdoor heaters simply mount to the pole of any parasol up to 50mm in diameter. Manufactured in aluminium, it is perfect for both residential or commercial outdoor use. The heater comes complete with a remote control and each 1kW heater can be operated independently.

- Fully waterproof (IP65 rated)
- Each heater is 1kW
- Lamps can be swivelled 90 degrees
- Remote or switch operated
- Supplied with 1.8m cable and extension as standard

PERGOLAS

TECHNIC

CUBIC

ESSENTIAL

ELEGANCY

CARPORT



The Instashade Technic is an elegant bioclimatic pergola designed to experience thermal outdoor living, either at your home or to enhance your business by providing additional functional space.

Our contemporary system is designed to fit within any space and allows the area to be used in all conditions throughout the year, protection in all kinds of weather conditions..

- Full Aluminum structure available in a range of standard and non-standard finishes
 - Electric rotating louvres which move from 0° through to 135°
 - Wind rated to 160kmph winds and 120-620kg/m² Snow
 - Built in gutters
 - Fully automated control system
 - Modular – can cover any area
 - Full survey and installation service available
 - Free standing or mounted to building
 - LED Lighting available
 - Heaters and speakers available
-

CUBIC



The Cubic pergola has a fully retractable roof, perfect for all weathers. The Cubic is a commercial quality pergola, with a unique double layered fully retractable roof design.

The contemporary system will allow you to make the most of your outside area, whether at home or to enhance your business providing functional space all year round.

The roof structure is manufactured in two sections, with the top being a fully waterproof PVC, the bottom layer uses an acrylic fabric which is visible. Cubic has built in gutters.

- Commercial quality aluminium structure
 - Fully electric, fully retractable roof system
 - Fully Built in gutters
 - Fully waterproof, double layer roof
 - Fully automated control system
 - LED lighting available
 - Wind resistant to 120km/h
-

ESSENTIAL

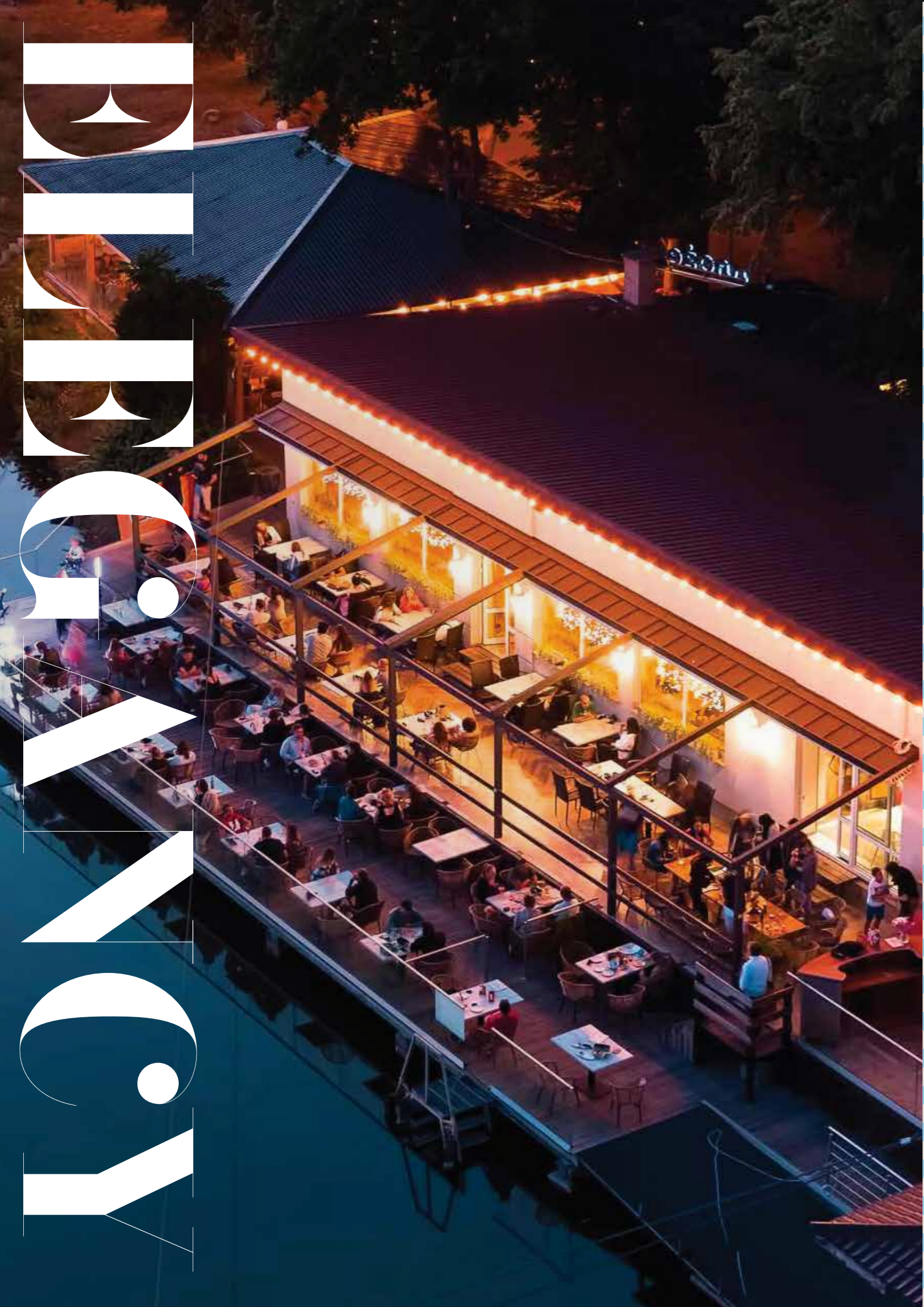


A graceful modern roofing system with a solid construction.

The Essential pergola is an aluminium bioclimatic pergola. The louvres open automatically and have a range of rotation from an angle of 0° through to 135°, which allows for sun exposure and air circulation control.

The design is light and airy and it can be fitted out with sliding glass, roller blinds and LED strip lighting. There are also various additional accessorising options available including infrared heaters and wind/ rain and temperature sensors.

- Rotating aluminum louvres, 0 - 135 degrees
 - Automatic control
 - Resistant to wind, 120 km/h
 - Solid, aluminium construction
-



Our Elegancy Pergola has a fully retractable roof, using a fabric terrace roofing system which combines both style and functionality.

This modern technical pergola is a simple and practical choice to fully protect or extend your outside terrace. The Elegancy has a raised side, and can be supplied to attach onto a building/wall or freestanding. The Elegancy has a fully integrated gutter system.

- Commercial quality, perfect for restaurants and bars
 - Fully electric, fully retractable roof system
 - Fully integrated gutters
 - Waterproof
 - When used with side strut, glazing or shutters can be added to offer full weather protection
 - LED Lighting available
 - Wind Resistant to 120km/h
-



The Carport is a modern parking space. It is a solid, fixed roofing that protects your car from the sun, rain, wind and snow. The minimalist form, aesthetically pleasing finish, with no visible fixings and a choice of colours allows the Carport to fit into any environment.

The fixed roof will provide the opportunity for the installation of photovoltaic panels and the use of the resulting electricity to power household appliances or to charge an electric car. Available in 22 kW, 32A, and 3-phase power level. It has a Demand Limitation Pro feature that allows charging at the maximum available power without exceeding it.

As an additional option, a bottom roof can be ordered to cover the exposed roof sheet visible from below. The underside of the roof is then made of an aesthetically elegant fabric with beams in which LED lights can be fitted.

CARPORT



ACCESSORIES

LED Lighting



Glazing



Audio System



Water Drainage



Zip Screens



Shutters



Heaters



Weather sensors



Instashade



www.instashade.co.uk



InstaShade

PARASOLS

Unit 7 & 8 Tatton Court
Kingsland Grange
Warrington
WA1 4RR

Tel: 01925 859 960
Email: info@instashade.co.uk
Web: www.instashade.co.uk

